



Water Filtration System

La section française commence à la page 17

La sección en español empieza en la página 33

**Owner's Manual
and Installation
Instructions**

GXSL03C (rev. 2)
GXSV10C

Safety Information 2

Operating Instructions 3, 4

Specification Guidelines 3

Using the System 4

**Installation
Instructions** 5–11

Battery Pack Installation 8

Faucet Installation 7, 8

Feed Water Supply 6

Filter Cartridge Installation
or Replacement 10, 11

Flush Procedure 11

Important Recommendations 5

Step-by-Step Instructions 7–9

Tools/Materials Required 5

Tubing Connections 9

Wall Mounting 9

Troubleshooting Tips

Before You Call For Service 12

Consumer Support

Consumer Support 16

Parts List/Catalog 13

Warranty 16



GXSL03C (rev. 2) is Tested and Certified by NSF International against ANSI/NSF Standard 42 for the reduction of Particulate Class I, Chlorine and Taste/Odor and Standard 53 for the reduction of Lead, Mercury, Cyst, Turbidity, Asbestos, Atrazine and Lindane.

GXSV10C is Tested and Certified by NSF International against ANSI/NSF Standard 42 for the reduction of Particulate Class I, Chlorine and Taste/Odor and Standard 53 for the reduction of Lead, Mercury, Cyst, Turbidity, Asbestos and VOC.

Write the model and serial numbers here:

Model # _____

Serial # _____

You can find them on the sump bracket.



IMPORTANT SAFETY INFORMATION. READ ALL INSTRUCTIONS BEFORE USING.

▲ WARNING! *For your safety, the information in this manual must be followed to minimize the risk of property damage or personal injury.*

SAFETY PRECAUTIONS

- Check with your local public works department for plumbing codes. You must follow these guidelines as you install the Water Filtration system.
- Use the Water Filtration system on a potable, safe-to-drink, home **COLD** water supply only. The filter cartridges will not purify the water, or make it safe to drink.
- **Do not** use on a hot water supply (100°F max.).

▲ WARNING: Do not use with water that is microbiologically unsafe or of unknown quality without adequate disinfection before or after the system. Systems certified for cyst reduction may be used on disinfected water that may contain filterable cysts.

PROPER INSTALLATION

This Water Filtration system must be properly installed and located in accordance with the Installation Instructions before it is used.

- Install or store where it will not be exposed to temperatures below freezing or exposed to any type of weather. Water freezing in the system will damage it. Do not attempt to treat water over 100°F.

- Your Water Filtration system will withstand up to 125 pounds per square inch (psi) water pressure. If your house water supply pressure is higher than 100 psi, install a pressure reducing valve before installing the Water Filtration system.

▲ WARNING: Discard all unused and packaging material after installation. Small parts remaining after installation could be a choke hazard.

READ AND FOLLOW THIS SAFETY INFORMATION CAREFULLY.

SAVE THESE INSTRUCTIONS

Many bad tastes and/or odors are removed from water using activated carbon filter cartridges. They are most often used to remove a chlorine taste and odor. They can also reduce other undesirable elements from drinking water supplies, such as organic chemical contaminants and lead.

NOTE: Small amounts of hydrogen sulfide (noticeable as “rotten egg” odor) may be reduced by taste and odor filters for a short time, but the carbon media is quickly exhausted. Other water conditioning equipment is usually required for the continuous treatment of hydrogen sulfide.

The Water Filtration system uses two filter cartridges.

For Model GXSL03C (rev. 2)

FXSLC (rev. 2) Filter Set
(600-Gallon Capacity)

Filter I – White with no end caps

Filter II – White with yellow end caps

- Reduces dirt, rust and sediment
- Reduces unpleasant tastes and odors
- Reduces Chlorine: Taste and Odor
- Reduces Lead
- Reduces Asbestos
- Reduces Mercury
- Reduces Atrazine
- Reduces filterable cysts (such as cryptosporidium and giardia)
- Reduces Lindane (a pesticide)
- 0.5–1 micron nominal particulate reduction

For Model GXSV10C

FXSVC (rev. 2) Filter Set
(600-Gallon Capacity)

Filter I – White with green end caps

Filter II – Gray

- Reduces dirt, rust and sediment
- Reduces unpleasant tastes and odors
- Reduces Chlorine: Taste and Odor
- Reduces Lead
- Reduces Asbestos
- Reduces Mercury
- Reduces filterable cysts (such as cryptosporidium and giardia)
- Reduces Volatile Organic Chemicals (VOCs)
- 0.5–1 micron nominal particulate reduction

This system conforms to ANSI/NSF 42 and 53 for the specific performance claims as verified and sustained by test data.

Minimum - Maximum Supply Water Pressure – 40–125 pounds per square inch (psi)

Minimum - Maximum Supply Water Temperature – 40°–100°F

Inlet - Outlet – 3/8" NPT, fittings and tubing included

*Rated Service Flow – 0.6 gpm (GXSL03C [rev. 2])
0.6 gpm (GXSV10C)*

Depending on the treatment needed for a specific water supply, the water filtration system can be customized using any combination of the preceding filter cartridge sets.

About the water filtration system.

Using the Water Filtration System and About the Filter Cartridge

The countertop faucet dispenses filtered drinking water when opened. It has a hand-operated, spring-loaded closed lever to prevent waste. You can keep the faucet open by pushing upward on the lever to lock it against the faucet spout.

Filter Cartridge Life – Several variables determine how long the cartridges will last in your Water Filtration system. These include:

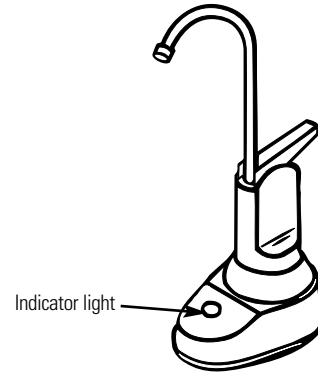
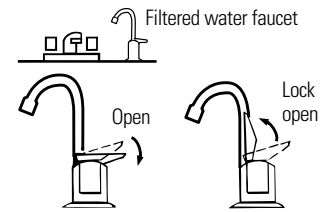
- 1 How much water you use.
- 2 How much sediment, taste and/or odor, lead or other unwanted substance is in the water.

No matter which Water Filtration system you have, you should replace the cartridges every six months, when indicated by the electronic indicator light on the base. In extremely poor water supplies, you may notice the return of the unwanted substance in your water before the six months are up. In this case the cartridges should be replaced immediately. If the system is also for lead or chemical contaminant removal, it is **MORE IMPORTANT** to replace the cartridges at least every six months.

NOTE: If the water supply contains high amounts of sediments, the carbon filters may plug prematurely, reducing filtered water flow to the system faucet. *Cartridge replacement is needed to restore flow.*

Electronic Indicator Light (GXSV10C only) – The electronic indicator light on the base of the faucet is a six-month timer that shows you when to replace the filter cartridges. When the battery pack is first installed, the indicator light will light briefly to show that the electronics are operating. If this does not happen, the batteries may be installed backwards or the lead wires are not connected.

After about six months, the indicator light begins to flash. It is time to replace the filter cartridges. When replacing the filter cartridges, also replace the batteries in the battery pack. Two AA batteries are required.



Installation Instructions.

Important Installation Recommendations

Read entire manual. Failure to follow all guides and rules could cause personal injury or property damage.

- **Check with your local public works department for plumbing codes. You must follow their guides as you install the Water Filtration system.**
- **Use the Water Filtration system on a potable, safe-to-drink, home COLD water supply only. The filter cartridges will not purify water or make unsafe water safe to drink. DO NOT use on HOT water (100°F max.).**
- **Protect the Water Filtration system and piping from freezing. Water freezing in the system will damage it.**
- **Your Water Filtration system will withstand up to 125 psi water pressure. If your house water supply pressure is higher than 100 psi during the day (it may reach higher levels at night), install a pressure-reducing valve before the system.**

⚠ WARNING: Do not use with water that is microbiologically unsafe or of unknown quality without adequate disinfection before or after the system. GXSL03C (rev. 2) and GXSV10C are certified for cyst reduction and may be used on disinfected water that may contain filterable cysts. The water should be tested periodically to verify that the system is performing satisfactorily. Small parts remaining after the installation could be a choke hazard. Discard safely.

Tools and Materials Required for Installation

- Slotted and Phillips screwdrivers
- Pliers and adjustable jaw wrench
- Hand- or battery-powered drill and 1/4" bit (saddle valve installation)
- Electric drill and drill bit to drill 1"-1 1/4" hole (type as required) if mounting hole is needed for faucet

⚠ CAUTION: To avoid damaging the sink, consult a qualified plumber or installer for drilling procedures. Special drill bits may be needed for porcelain or stainless steel.

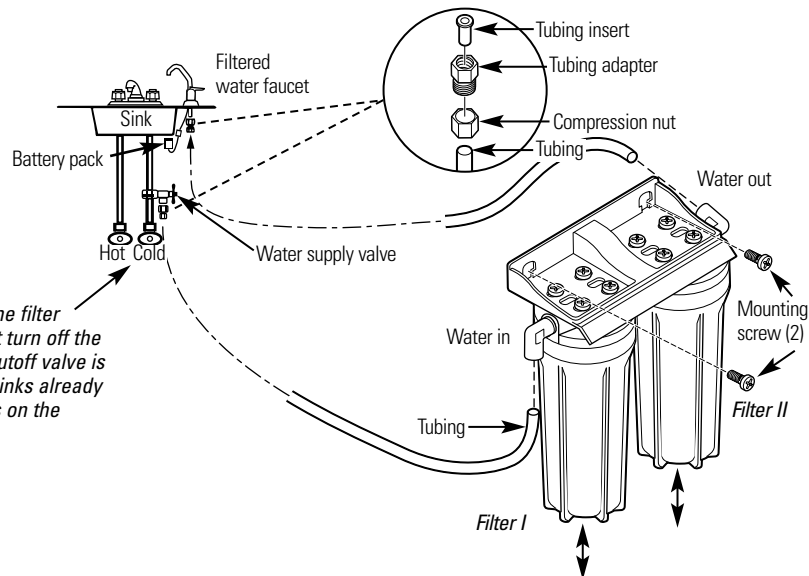
Contents included with the product:

- Water filter assembly, including mounting bracket and screws
- Product Literature (Owner's Manual and Installation, Product Data Sheet, Owner Product Registration Card)
- Water supply/saddle valve
- Filtered water faucet for sink or countertop mounting
- Electronic indicator faucet base and battery pack (GXSV10C only)
- 3/8" tubing and fittings to make all needed connections
- Sump wrench

Installation Overview

Locate the drinking water system on the cold water supply pipe, under the kitchen and/or bathroom sink, to filter the cold drinking water.

Shutoff valve
NOTE: To change the filter cartridge, you must turn off the water. A nearby shutoff valve is convenient. Most sinks already have shutoff valves on the supply pipes.



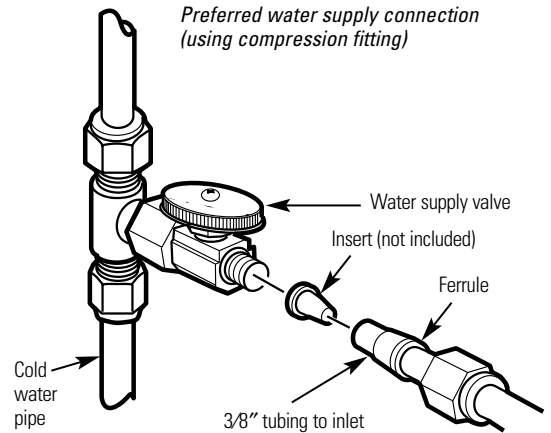
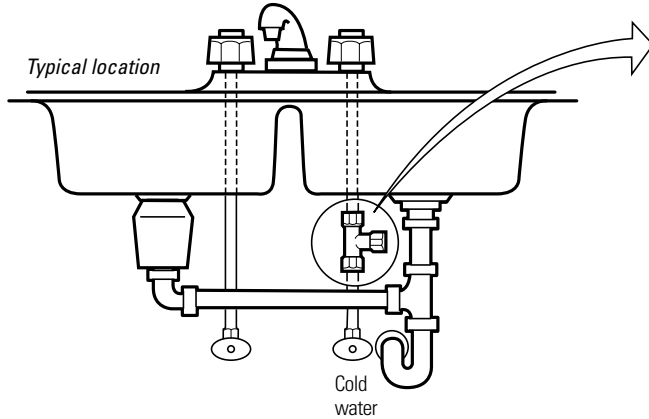
Installation Instructions.

Feed Water Supply

Check and comply with local plumbing codes as you plan; then install a cold feed water supply fitting. For new home installation using standard plumbing fittings, see first two illustrations below. A typical installation for existing homes using the saddle valve is shown in third illustration below.

A. PREFERRED INSTALLATION

- 1 Turn off the cold water supply.
- 2 Complying with plumbing codes, install a fitting on the cold water pipe to adapt 3/8" OD tubing. A typical connection is shown in illustrations at right (parts not included). Make sure a water supply valve is used.



B. OPTIONAL HOME INSTALLATION Where codes permit

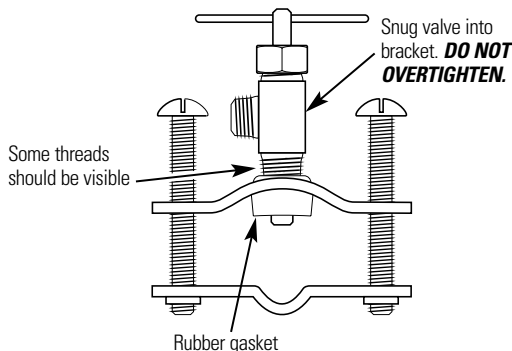
***For 1/2" OD or larger metal tubing only.**

NOTE: Codes in the state of Massachusetts require installation by a licensed plumber and do not permit the use of the saddle valve. For installation, use plumbing code 248-CMR of the Commonwealth of Massachusetts.

- 1 Turn off the cold water supply and attach saddle valve as shown in illustration at right.

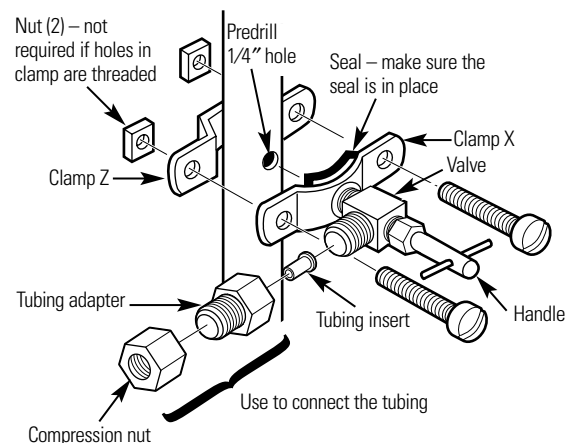
⚠ DANGER: To protect yourself from serious injury or fatal shock, use a battery-powered hand drill only to make the hole. **DO NOT USE AN ELECTRIC DRILL.**

- 2 Close the water supply valve by turning the handle clockwise.
- 3 Open the main water supply valve and several house faucets to purge air from the system. Close faucets when water runs smoothly.



Optional water supply connection (using saddle valve)*

***For 1/2" OD or larger metal tubing only.**



Step-by-step installation instructions.

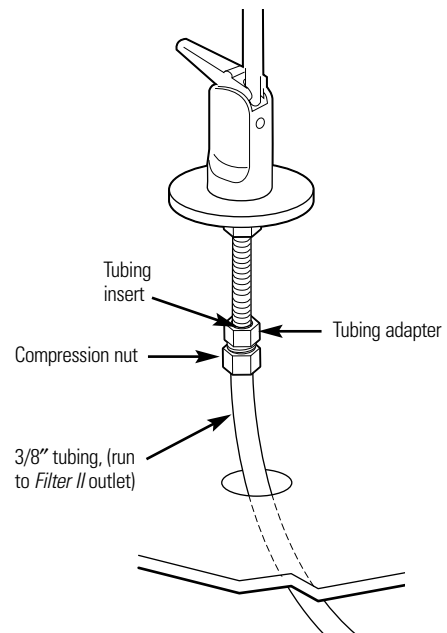
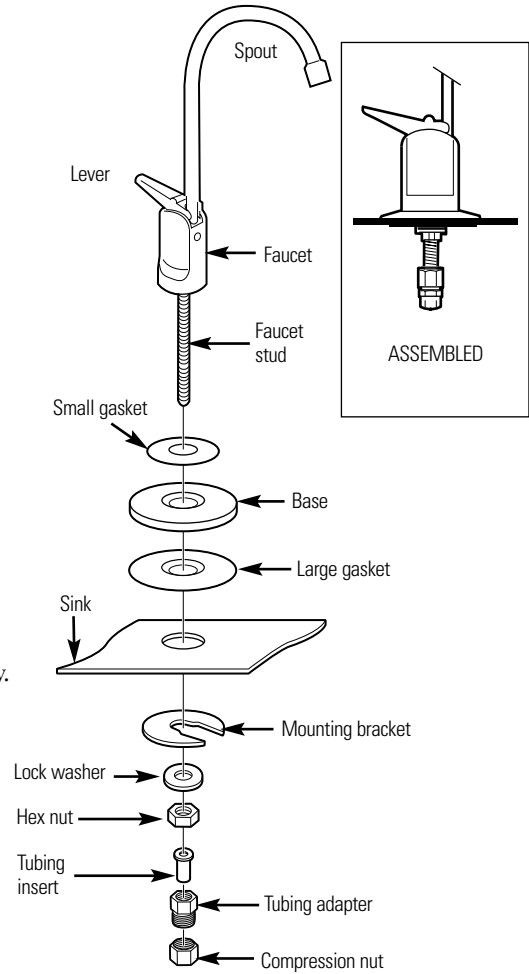
Faucet Installation for Models GXST03C and GXSL03C (rev. 2)

Be sure there is room underneath the sink to make the needed connections.
Select one of the following places to install the faucet:

- IN an existing sink spray attachment or soap dispenser hole.
- IN a hole to be drilled in the sink top.
- IN a hole to be drilled in the countertop, next to the sink.

NOTE: Looking at second illustration at right, be sure the faucet base will fit flat against the surface at the selected location so the gasket will seal.

- 1 If drilling is needed, make a 3/4" dia. hole. **Be sure to use the proper procedure for drilling porcelain or stainless steel. Special drill bits may be needed.**
- 2 Place small gasket, base and large gasket (in that order) onto the faucet stem. Next, place lock washer and hex nut onto faucet stud.
- 3 Insert washer into tubing adapter. Securely tighten to faucet stud.
- 4 Feed the length of 3/8" OD tube from the bottom up through the mounting hole. Connect to the tubing adapter as shown in second illustration, tightening the compression nut securely.
- 5 Remove the short shipping tube and insert the spout into the faucet body. Rotate spout into place.
- 6 Lower the faucet assembly into place on the underside of the mounting hole. Place the mounting bracket above the lock washer. While holding the mounting bracket in place, securely tighten the hex nut.



Step-by-step installation instructions.

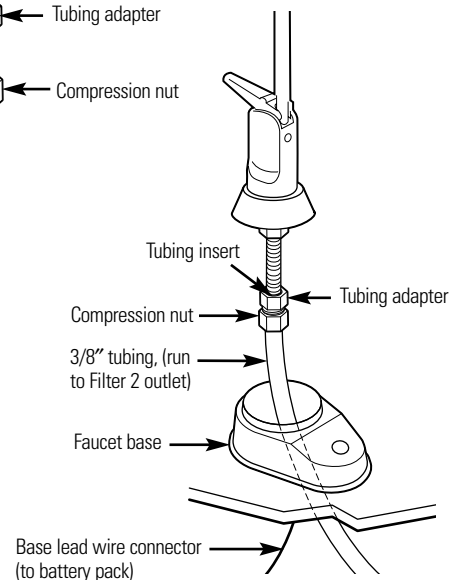
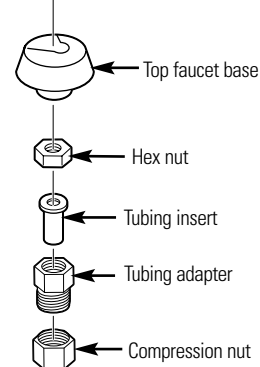
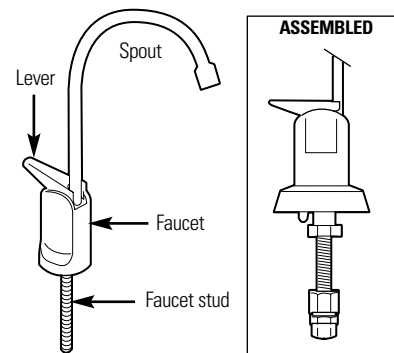
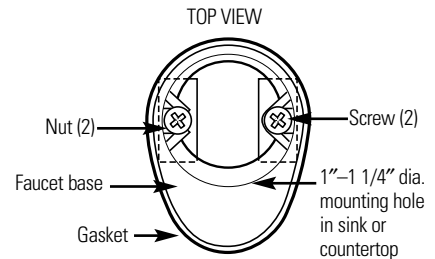
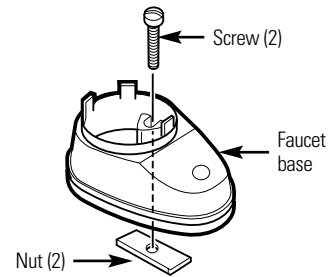
Electronic Faucet Installation for Model GXSV10C

Be sure there is room underneath the sink to make the needed connections. Select one of the following places to install the faucet:

- IN an existing sink spray attachment or soap dispenser hole.
- IN a hole to be drilled in the sink top.
- IN a hole to be drilled in the countertop, next to the sink.

NOTE: Looking at fourth illustration at right, be sure the faucet base will fit flat against the surface at the selected location so the gasket will seal. The base may have to be angled sideways or diagonally.

- 1 If drilling is needed, make a 1"-1 1/4" dia. hole. **Be sure to use the proper procedure for drilling porcelain or stainless steel. Special drill bits may be needed.**
- 2 Looking at first illustration, insert a screw into the NON-SLOTTED base mounting hole. Turn a flat nut a few turns onto the screw.
- 3 Position the base gasket over the mounting hole. Set the base on the gasket, routing the leadwire through the mounting hole. Holding the flat nut under the sink with one finger, tighten the screw until just snug.
- 4 Turn the remaining flat nut a few turns onto the other screw. Position the screw in the slotted base mounting hole and tighten until snug. Make sure the gasket position is properly aligned and **carefully tighten** both screws until the base is held firmly in place. **Do not overtighten** and break the base.
- 5 Assemble the top faucet base and hex nut onto the faucet stud (third illustration). Tighten the nut until snug.
- 6 Insert tubing insert into tubing adapter. Securely tighten to faucet stud.
- 7 Feed the length of 3/8" OD tubing from the bottom up through the faucet base. Connect to the tubing adapter as shown in fourth illustration, tightening the compression nut securely.
- 8 Remove the short shipping tube and screw the spout into the faucet body.
- 9 Lower the faucet assembly and lock into place on the faucet base.

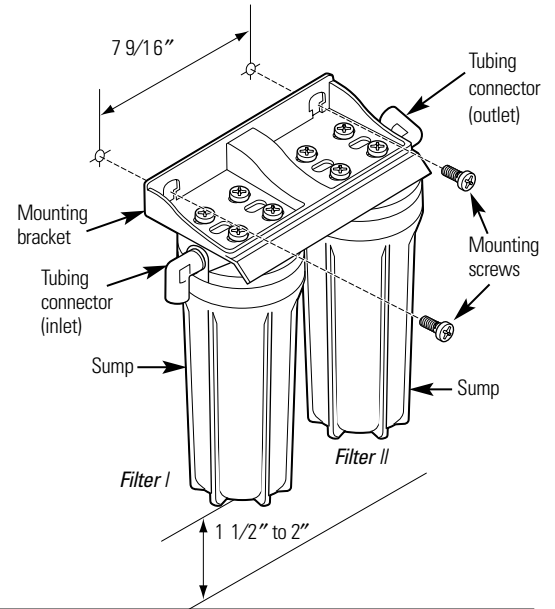


Battery Pack Installation and Connection

- 1 In a dry location, within reach of the electronic base 3' lead wire, select a place for the battery pack (see illustration on page 5). The battery pack attaches to most surfaces, using the included "sticky-back" Velcro™ strip.
- 2 The battery pack uses two size AA batteries. Check to be sure they are installed correctly. Then, remove the paper backing on the Velcro™ strip and secure the pack in place.
- 3 Fasten electronic base lead wire and battery pack connector together.

Mounting Bracket to Cabinet Wall

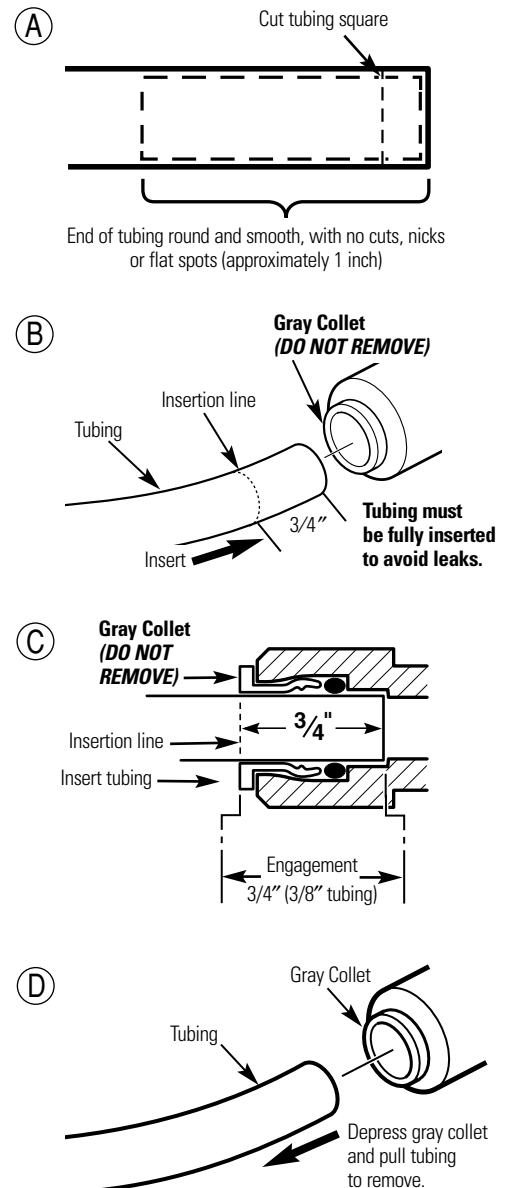
The bracket can be used as a template for marking the location of the mounting screws. When determining the location of the bracket, make sure you leave 1 1/2" to 2" of free area under the sumps to allow for sump removal and enough space on either side to make the tubing connections.



Tube Connections – Push-In Style (Models GXSL03C [rev. 2] and GXSV10C)

- 1 Run the length of the 3/8" tubing, connected to the bottom of the faucet, to the filter system outlet (illustration above). Allow enough slack in the tubing so that the unit can be easily removed.
- 2 Measure and cut the end of the tubing square using a sharp cutter or knife. Remove any burrs (illustration A).
- 3 Inspect the end of the tubing, about 1 inch, to be sure there are no imperfections. It may be necessary to cut the tubing again.
- 4 Mark the tubing for length of insertion. For 3/8" OD tubing the insertion length should be approximately 3/4 of an inch. **Tubing must be fully inserted to avoid leaks.**
- 5 **DO NOT REMOVE GRAY COLLET.** Push the tubing all the way into the fitting until it bottoms out. The insertion line should be hidden or barely visible (illustration B and C). Slightly pull on the tubing to verify engagement.
- 6 Repeat the procedure to connect the tubing between the filter system inlet and the water supply/saddle valve (illustration in the *Installation Overview* section).
- 7 To remove tubing (illustration D), depress and hold gray collet. Pull tubing to remove.

NOTE: Avoid installing the unit where the tubing is pulled at a sharp angle. This type of installation may cause the fittings to leak. If using tubing other than what is supplied, be sure it is high quality, exact size and roundness, and has a smooth surface.



About the water filtration system.

Filter Cartridge Installation or Replacement

CAUTION: Never remove the sumps when water pressure is in the Water Filtration system.

- 1 **Close the water supply/saddle valve to the filter.** (See illustration in the *Installation Overview* section for location of the water supply valve.) Open the filtered water faucet.
- 2 Remove the sump, using the sump wrench tool provided, from the filter head by rotating the sump as shown in the below illustration. Be careful, the sump may be full of water. Be sure to keep the large o-ring seal.
- 3 If you are replacing a filter cartridge, remove and discard the used filter cartridge.
- 4 Be sure the inside of the sump is clean. Thoroughly wash the inside of the sump with hot, soapy water and rinse.
- 5 Remove the wrapper from the new filter cartridge and insert the filter cartridge in the sump. Some cartridges fit either way, while others fit only one way. Observe markings on the cartridge.

NOTE: The Water Filtration system uses two different types of filter cartridges. Be sure to install them correctly. *Filter I* cartridge should always be placed in the *Filter I* sump. *Filter II* cartridge should always be placed in the *Filter II* sump. See page 3 for a complete list of filter performance characteristics.

For Model GXSL03C (rev. 2)

FXSLC (rev. 2) Filter Set
(600-Gallon Capacity)

Filter I – White with no end caps

Filter II – White with yellow end caps

For Model GXSV10C

FXSVC (rev. 2) Filter Set
(600-Gallon Capacity)

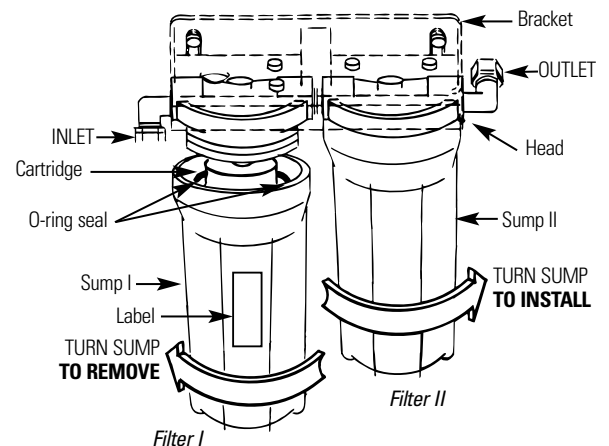
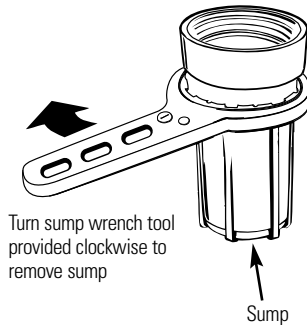
Filter I – White with green end caps

Filter II – Gray

- 6 Lightly lubricate the o-ring seal in the sump with clean food-grade silicone grease (silicone grease is available through GE Parts and Services: 1-800-626-2002, Part Number: WS60X10005). Be sure it is fully seated in its groove.
- 7 Hold the sump up to the filter head, aligning the center hole in the cartridge with the protrusion on the bottom of the head. Failure to obtain proper alignment may cause damage to the filter and/or filtration system, which will degrade filter performance.
- 8 Being careful not to cross-thread, rotate the sump onto the filter head and tighten securely by hand.

NOTE: If the sump will not tighten up to the head or if you feel resistance, you may have the cartridge in upside down or misaligned. Take the cartridge out and check for correct orientation or alignment and reassemble.

- 9 **Repeat steps 2 through 8 for the Filter II cartridge in the Filter II sump.**



-
- 70 Turn on the filtered water faucet. Then, slowly open the water supply/saddle valve and allow the filter housing to fill.
 - 71 Close the filtered water faucet. Then, check for leaks between the sump and the head.

NOTE: If leaking, turn off the water supply and turn on the filtered water faucet. Disassemble the filter housing and check the o-ring for cuts, flat spots, etc., and sealing surfaces for foreign material. Clean the o-ring and lightly lubricate with clean silicone grease. Carefully press into the groove in the sump. Reassemble and check for leaks.

- 72 If you are replacing the batteries, remove, properly discard and install two new AA alkaline batteries in the battery pack. Removing the batteries or momentarily disconnecting the lead wires resets the six-month electronic timer. It is recommended that you change your batteries at least once a year.
- 73 The filter cartridges contain activated carbon. When new, turn on the filtered water faucet for ten minutes to flush the system.
- 74 Place filter change label on sump, inside cabinet door, or in another convenient location. Write in date of filter change for future reference. Filters should be changed every six months.

Flush Procedure

Whenever water of unknown quality is passed through the GE Water Filtration system, filter elements should be discarded and the filtration system flushed.

Circumstances that may require flushing the system are:

- Boil-water advisory.
- Flooding of the GE Water Filtration system.
- Long-term non-use.

The procedure for flushing the GE Water Filtration system is:

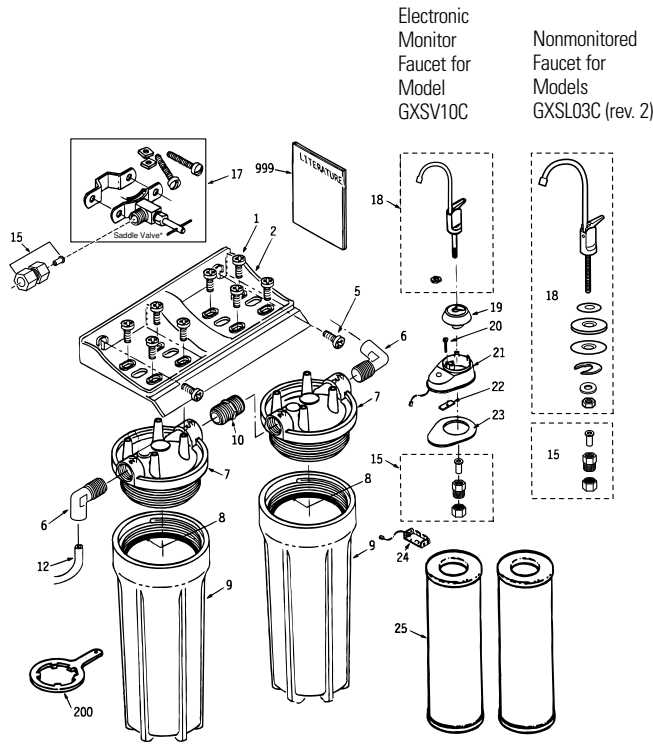
- 1 See *Filter Cartridge Replacement* section and follow steps 1, 2, 3 and 4.
- 2 Next, reinstall the sumps (without the filter elements), turn water on and flush water through the faucet for one minute.
- 3 Then, turn water off, remove sumps, empty water out of sumps and install new filter elements.
- 4 Follow steps 5–11 in the *Filter Cartridge Replacement* section to complete.

Before you call for service...



Troubleshooting Tips
Save time and money! Review the chart below first and you may not need to call for service.

Problem	Possible Causes	What To Do
Water contains tiny black particles	New filter cartridges contain activated carbon, which is a harmless black powder.	<ul style="list-style-type: none"> • Turn on the filtered water faucet and allow these harmless carbon particles to purge from the cartridge. Turn off the faucet when the water is clear.
Water has air bubbles and is cloudy	Air in system after installation.	<ul style="list-style-type: none"> • Will go away after water runs for a while.
Indicator light on the faucet base is flashing (GXSV10C only)	Six months usage has occurred. This is the maximum life of the filter cartridges.	<ul style="list-style-type: none"> • Replace both filter cartridges and batteries in the battery pack.
Indicator light on the faucet base is not working (GXSV10C only)	The faucet base lead wire is not connected to the battery pack lead wire.	<ul style="list-style-type: none"> • Connect.
	Batteries may need to be replaced or they may have been installed incorrectly.	<ul style="list-style-type: none"> • Observe orientation markings on the holder and install correctly. Replace batteries if they are old.
	Lead wires damaged.	<ul style="list-style-type: none"> • Inspect and repair as needed.
Chlorine taste and /or odor in the product water	The filter cartridges are no longer removing chlorine from the water supply.	<ul style="list-style-type: none"> • Replace both filter cartridges.
Water dispenses very slowly	Filter may have an integral flow restrictor.	<ul style="list-style-type: none"> • A slower flow (approx. 0.6 g/min.) is normal with this style of filter. If flow rate is unacceptable, replace the filters with ones that do not have integral flow restrictors.
	The filters have been installed for too long.	<ul style="list-style-type: none"> • A six-month change-out period is recommended. Replace both filter cartridges.
	The filter cartridges have become clogged.	<ul style="list-style-type: none"> • High sediment levels can cause premature clogging. Replace both filter cartridges.
Fittings are leaking	Tubing may not be installed properly.	<ul style="list-style-type: none"> • Fully follow the installation instructions (page 9) and be sure the tubing is installed to the proper depth.
	Tubing may be damaged.	<ul style="list-style-type: none"> • Examine the end of tubing (approx. 1 inch) for defects such as scratches, grooves, roundness, etc. Trim tubing and fully reinstall.



***NOTE: Codes in the state of Massachusetts require installation by a licensed plumber and do not permit the use of the saddle valve. For installation, use plumbing code 248-CMR of the Commonwealth of Massachusetts.**

To obtain replacement parts, call toll-free 800.626.2002 (US), 800.663.6060 (Canada-English), 800.361.3869 (Canada-French)

General Electric parts catalog.

REF. NO.	PART NO.	PART DESCRIPTION	G	X	S	L	0	G
0001	WS02X10001	SCREW, #10-14 X 3/4"	8	8				
0002	WS28X10010	MOUNTING BRACKET	1	1				
0005	WS02X10003	SCREW, #10-14 X 1 1/4"	2	2				
0006	WS22X10002	ELBOW, 3/8" NPT X 3/8" (compression)	-	-				
0006	WS22X10032	ELBOW, 3/8" NPT X 3/8" (push-in)	2	2				
0007	WS19X10011	HEAD	2	2				
0008	WS03X10001	O-RING, 3 3/8" X 3 5/8"	2	2				
0009	WS30X10002	SUMP	2	2				
0010	WS22X10003	NIPPLE, 3/8" NPT X 1 1/2"	1	1				
0012	WS07X10008	TUBING, 3/8" X 20 FT-WH	1	1				
0015	WS03X10044	TUBING ADAPTER ASM.	2	2				
0017	WS15X10008	SADDLE VALVE/SUPPLY	1	1				
0018	WS15X10002	FAUCET ASM. (monitored)	-	1				
	WS15X10022	FAUCET ASM. (nonmonitored)	1	-				
0019	WS10X10008	TOP FAUCET BASE BLACK	-	1				
0020	WS02X10007	SCREW, #6-32 X 1 3/8"	-	2				
0021	WS10X10002	BASE FAUCET KIT	-	1				
0022	WS02X10008	NUT	-	2				
0023	WS08X10003	GASKET FAUCET	-	1				
0024	WS06X10001	HOLDER BATTERY	-	1				
0025	FXSLC (rev. 2)	FILTER SET - LEAD/CYST	1	-				
	FXSVC (rev. 2)	FILTER SET - VOC	-	1				
0200	WX5X140	WRENCH SUMP	1	1				
0999	49-50039	PM MANUAL USE & CARE/INSTALLATION	1	1				

Notes.

Notes.

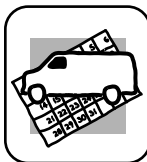
Consumer Support.



GE Appliances Website

www.GEAppliances.com

Have a question or need assistance with your appliance? Try the GE Appliances Website 24 hours a day, any day of the year! For greater convenience and faster service, you can now download Owner's Manuals, order parts, catalogs, or even schedule service on-line. You can also "Ask Our Team of Experts"™ your questions, and so much more...



Schedule Service

www.GEAppliances.com

Expert GE repair service is only one step away from your door. Get on-line and schedule your service at your convenience 24 hours any day of the year! Or call 800.GE.CARES (800.432.2737) during normal business hours.



Real Life Design Studio

www.GEAppliances.com

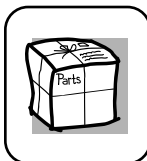
GE supports the Universal Design concept—products, services and environments that can be used by people of all ages, sizes and capabilities. We recognize the need to design for a wide range of physical and mental abilities and impairments. For details of GE's Universal Design applications, including kitchen design ideas for people with disabilities, check out our Website today. For the hearing impaired, please call 800.TDD.GEAC (800.833.4322).



Extended Warranties

www.GEAppliances.com

Purchase a GE extended warranty and learn about special discounts that are available while your warranty is still in effect. You can purchase it on-line anytime, or call 800.626.2224 during normal business hours. GE Consumer Home Services will still be there after your warranty expires.



Parts and Accessories

www.GEAppliances.com

Individuals qualified to service their own appliances can have parts or accessories sent directly to their homes (VISA, MasterCard and Discover cards are accepted). Order on-line today, 24 hours every day or by phone at 800.626.2002 during normal business hours.

Instructions contained in this manual cover procedures to be performed by any user. Other servicing generally should be referred to qualified service personnel. Caution must be exercised, since improper servicing may cause unsafe operation.



Contact Us

www.GEAppliances.com

If you are not satisfied with the service you receive from GE, contact us on our Website with all the details including your phone number, or write to:
General Manager, Customer Relations
GE Appliances, Appliance Park
Louisville, KY 40225



Register Your Appliance

www.GEAppliances.com

Register your new appliance on-line—at your convenience! Timely product registration will allow for enhanced communication and prompt service under the terms of your warranty, should the need arise. You may also mail in the preprinted registration card included in the packing material.

GE Water Filtration System Warranty.

LIMITED ONE-YEAR WARRANTY

- *What does this warranty cover?*
 - Any defect in materials or workmanship in the manufactured product.
 - *What does this warranty not cover?*
 - Filter Cartridges.
 - Service trips to your home to teach you how to use the product.
 - Improper installation.
 - Failure of the product if it is abused, misused, altered or used for other than the intended purpose.
 - Defects that result from improper installation or damage not caused by GE.
 - Liability on the part of GE under this or any other warranty for any indirect or consequential damage.
 - Products that are used for commercial or industrial applications.
 - Use of this product where water is microbiologically unsafe or of unknown quality, without adequate disinfection before or after the system. Systems certified for cyst reduction may be used on disinfected water that may contain filterable cysts.
 - Damage to the product caused by accident, fire, floods or acts of God.
 - **Incidental or consequential damage caused by possible defects with this appliance, its installation or repair.**
 - *For how long after the original purchase?*
 - One year.
 - *How do I make a warranty claim?*
 - Return to the retailer from which it was purchased, along with a copy of the "Proof of Purchase." This warranty excludes the cost of shipping or service calls to your home.
 - *How does state law relate to this warranty?*
 - This warranty gives you specific legal rights, and you may also have other rights which vary from state to state. **THIS WARRANTY IS INTENDED TO BE IN LIEU OF ALL OTHER WARRANTIES, WHETHER EXPRESS OR IMPLIED, INCLUDING THE WARRANTIES OF MERCHANTABILITY AND FITNESS FOR A PARTICULAR PURPOSE.**
- Contact us at www.GEAppliances.com, or call 800.GE.CARES (800.432.2737) in the U.S., or toll-free 866.777.7627 in Canada.

Information de sécurité18

Instructions d'utilisation19, 20

Spécifications19

Utilisation du système20

Instructions d'installation ... 21–27

Cartouches de filtration–
installation ou remplacement26, 27

Étapes de l'installation23–25

Installation du porte-pile24

Installation du robinet23, 24

Montage mural25

Outillage/matériel nécessaire21

Processus de rinçage27

Raccordement des tubes25

Recommandations importantes21

Source d'alimentation du filtre22

Avant de contacter un dépanneur

Conseils pour le diagnostic28

Service-client

Garantie32

Liste des pièces/catalogue29

Service à la clientèle32



Le produit GXSL03C (rév. 2) a été testé et homologué par NSF International, selon la norme ANSI/NSF n° 42 pour la réduction de la concentration de particules (classe I), la réduction de la concentration de chlore et la suppression des goûts et odeurs, et selon la norme n° 53 pour la réduction de la turbidité et des concentrations de plomb, mercure, spores, amiante, atrazine et Lindane.

Le produit GXSV10C a été testé et homologué par NSF International, selon la norme ANSI/NSF n° 42 pour la réduction de la concentration de particules (classe I), la réduction de la concentration de chlore et la suppression des goûts et odeurs, et selon la norme n° 53 pour la réduction de la turbidité et des concentrations de plomb, mercure, spores, amiante et composés organiques volatiles.

Écrivez ici le numéro de modèle et le numéro de série :

Modèle # _____

Série # _____

Vous trouverez ces numéros sur la bride du corps de filtre.

INFORMATION DE SÉCURITÉ IMPORTANTE.

LIRE LA TOTALITÉ DES INSTRUCTIONS AVANT D'UTILISER LE PRODUIT.

▲ AVERTISSEMENT! *Observer toutes les instructions présentées dans ce manuel pour assurer la sécurité et minimiser les risques de dommages matériels ou corporels.*

MESURES DE SÉCURITÉ

- Consulter le service local des travaux publics au sujet des codes de plomberie. L'installation du système de filtration d'eau doit être conforme aux prescriptions du code de plomberie local.
- Utiliser le système de filtration d'eau uniquement sur une canalisation d'eau potable *FROIDE*. Les cartouches de filtration ne purifient pas l'eau et ne peuvent rendre potable une eau qui ne l'est pas.
- **Ne pas** utiliser ce produit sur une canalisation d'eau chaude (100°F maximum).

▲ AVERTISSEMENT : Ne pas utiliser ce produit avec de l'eau microbiologiquement polluée ou de qualité inconnue sans avoir installé un dispositif de désinfection approprié avant ou après le système. Les systèmes homologués pour la retenue des spores peuvent être utilisés pour la filtration d'une eau désinfectée qui peut contenir des spores filtrables.

INSTALLATION

Avant toute utilisation, on doit installer le système de filtration d'eau soit à un emplacement adéquat conformément aux instructions d'installation.

- Installer ou remiser le produit à un emplacement qui n'est pas exposé au gel ou aux intempéries. Le gel de l'eau fera subir des détériorations au produit. Ne pas tenter de traiter une eau dont la température est supérieure à 100°F.
- Le système de filtration d'eau peut résister à une pression maximale de 125 lb/po². Si la pression de distribution locale est supérieure à 100 lb/po², installer un robinet de réduction de pression en amont du système de filtration d'eau.

▲ AVERTISSEMENT : Éliminer après l'installation tous les matériaux d'emballage et matériaux non utilisés; les petites pièces qui ne sont pas utilisées pourraient susciter un danger d'étouffement pour un enfant.

LIRE ATTENTIVEMENT ET RESPECTER CES PRESCRIPTIONS DE SÉCURITÉ.

CONSERVER CES INSTRUCTIONS

Des cartouches de filtration au charbon actif permettent d'éliminer de l'eau des composés responsables de goûts ou odeurs désagréables. On utilise fréquemment ces filtres pour éliminer les goûts et odeurs imputables au chlore. Les filtres permettent également de réduire la concentration d'autres éléments indésirables dans l'eau de consommation, comme composés organiques et plomb.

NOTE : Les filtres pour goûts et odeurs peuvent supprimer pendant quelque temps de petites quantités de sulfure d'hydrogène (responsable d'une odeur caractéristique d'oeufs pourris), mais le charbon actif s'épuise rapidement. Pour l'élimination en permanence du sulfure d'hydrogène, on doit utiliser un autre équipement de conditionnement de l'eau.

Le système de filtration de l'eau met en œuvre deux cartouches de filtration.

Pour modèle GXSL03C (rév. 2)

Filtre FXSLC (rév. 2)
(capacité 600 gallons)

Filtre I—Blanc, sans embouts

Filtre II—Blanc, avec embouts jaunes

- Réduction de souillures, rouille et sédiments
- Réduction des goûts et odeurs désagréables
- Réduction du chlore : goûts et odeurs
- Réduction du plomb
- Réduction de l'amiante
- Réduction de mercure
- Réduction de l'atrazine
- Réduction des spores filtrables, comme cryptosporidium et giardia
- Réduction du Lindane (pesticide)
- Réduction nominale des particules de 0,5–1 micron

Pour modèle GXSV10C

Filtre FXSVC (rév. 2)
(capacité 600 gallons)

Filtre I—Blanc, avec embouts verts

Filtre II—Gris

- Réduction de souillures, rouille et sédiments
- Réduction des goûts et odeurs désagréables
- Réduction du chlore : goûts et odeurs
- Réduction du plomb
- Réduction de l'amiante
- Réduction de mercure
- Réduction des spores filtrables, comme cryptosporidium et giardia
- Réduction des composés organiques volatiles COV
- Réduction nominale des particules de 0,5–1 micron

Ce système se conforme aux normes ANSI/NSF 42 et 53 pour les demandes spécifiques de rendement telles que vérifiées et obtenues par des données d'essais.

Pression d'arrivée d'eau (mini-maxi) – 40–125 livres par pouce carré

Température de l'eau traitée (mini-maxi) – 40°–100 °F

Raccords entrée-sortie – 3/8 po NPT (raccords de connexion et tube inclus)

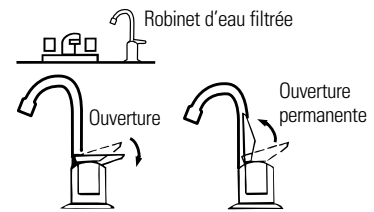
*Débit nominal – 0,6 gallon par minute (GXSL03C [rév. 2])
0,6 gallon par minute (GXSV10C)*

On peut personnaliser un système de filtration d'eau au moyen de toute combinaison des cartouches de filtration mentionnées ci-dessus, selon le traitement nécessaire pour une eau particulière.

Description sommaire du système de filtration d'eau.

Utilisation du système de filtration, et description des cartouches de filtration

Le robinet installé sur le plan de travail d'une cuisine permet de puiser de l'eau de consommation filtrée. Il comporte une manette à manoeuvre manuelle chargée par ressort, qui permet la fermeture automatique. Pour maintenir le robinet ouvert, pousser la manette vers le haut pour la mettre en appui contre le col de cygne.



Longévité de la cartouche de filtration – La longévité en service de la cartouche de filtration dépend de divers paramètres, comme les suivants :

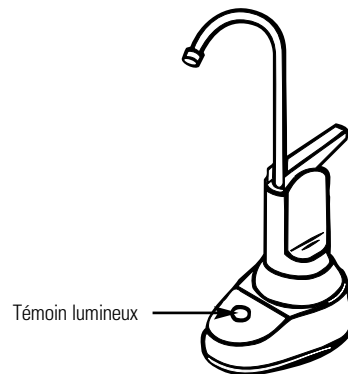
- 1 **Volume de consommation d'eau.**
- 2 **Quantité dans l'eau de sédiments, composés responsables de goûts et/ou odeurs, plomb et autres substances indésirables.**

Quel que soit le système de filtration utilisé, on doit remplacer les cartouches de filtration à intervalles de six mois, lorsque l'illumination du témoin électronique sur la base indique que ceci est nécessaire. Si l'eau traitée est de très médiocre qualité, on peut observer la réapparition de substances indésirables dans l'eau avant l'expiration d'une période de six mois. Dans ce cas on doit immédiatement remplacer les cartouches de filtration. Si le système est utilisé également pour l'élimination du plomb et de contaminants chimiques, il est **PLUS IMPORTANT** de remplacer les cartouches à intervalles de six mois ou moins.

NOTE : Si l'eau traitée contient une quantité élevée de sédiments les filtres à charbon peuvent s'obstruer prématurément, ce qui réduit le débit d'eau filtrée au niveau du robinet de puisage. *On doit remplacer les cartouches pour rétablir le débit usuel.*

Témoin électronique (GXSV10C seulement) – Le témoin lumineux situé sur la base du robinet est associé à un circuit électronique comportant une minuterie (mesure d'une période de six mois); le témoin s'illumine pour indiquer qu'il est temps de remplacer les cartouches de filtration. Lors de l'installation initiale des piles, le témoin s'illumine brièvement pour indiquer que les circuits électroniques sont opérationnels; s'il ne s'illumine pas, c'est probablement parce que les piles sont installées à l'envers, ou parce que des fils ne sont pas connectés.

Après environ six mois de service, le témoin lumineux commence à clignoter; il est temps de remplacer les cartouches de filtration. Lors du remplacement des cartouches de filtration, remplacer également les piles. On doit utiliser deux piles AA.



Instructions d'installation.

Recommandations importantes concernant l'installation

Lire la totalité du manuel. Le non-respect de certaines instructions ou règles pourrait susciter des dommages matériels ou corporels.

- Consulter le service local des travaux publics au sujet des codes de plomberie. L'installation du système de filtration d'eau doit être conforme aux prescriptions du code de plomberie local.
- Utiliser le système de filtration d'eau uniquement sur une canalisation d'eau potable FROIDE. Les cartouches de filtration ne purifient pas l'eau et ne peuvent rendre potable une eau qui ne l'est pas. NE PAS utiliser ce produit sur une canalisation d'eau CHAUDE (100 °F maximum).
- Protéger le système de filtration d'eau et la tuyauterie contre le gel. La congélation d'eau dans le système lui fera subir des dommages.
- Le système de filtration d'eau peut résister à une pression maximale de 125 lb/po². Si la pression de distribution locale est supérieure à 100 lb/po² durant la journée (elle peut atteindre un niveau plus élevé la nuit), installer un robinet de réduction de pression en amont du système de filtration d'eau.

⚠ AVERTISSEMENT : Ne pas utiliser ce produit avec de l'eau microbiologiquement polluée ou de qualité inconnue sans avoir installé un dispositif de désinfection approprié avant ou après le système. Les systèmes GXSL03C (rév. 2) et GXSV10C sont homologués pour la rétention des spores; on peut les utiliser pour la désinfection d'une eau qui peut contenir des spores filtrables. Tester périodiquement l'eau filtrée pour vérifier que la performance du système demeure satisfaisante. Éliminer en sécurité les petites pièces qui peuvent rester inutilisées après l'installation; elles peuvent susciter un danger d'étouffement pour les jeunes enfants.

Outillage et matériel nécessaires pour l'installation

- Tournevis Phillips et à lame plate
- Pince et clé à molette
- Perceuse électrique ou à piles, et foret de 1/4 po (pour l'installation du robinet de prise en charge)
- Perceuse électrique et foret pour trou de 1 po–1 1/4 po (selon le besoin), si un trou de montage est nécessaire pour l'installation du robinet

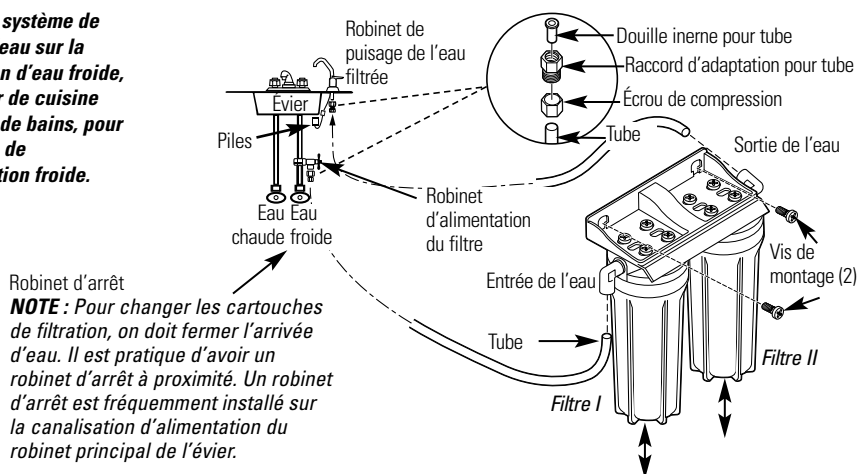
⚠ MISE EN GARDE : Pour éviter d'endommager l'évier, consulter un installateur ou plombier qualifié au sujet de la méthode de perçage; l'emploi d'un foret spécial peut être nécessaire pour le perçage sur acier inoxydable ou matériau émaillé.

Articles fournis avec le produit :

- Système de filtration d'eau, avec bride de montage et vis
- Brochures descriptives du produit (manuel de l'utilisateur, instructions d'installation, fiche technique du produit, carte d'enregistrement du produit)
- Robinet de prise en charge
- Robinet de puisage de l'eau filtrée—montage sur évier ou plan de travail
- Base du robinet avec témoin lumineux électronique et piles (GXSV10C seulement)
- Tube de 3/8 po et raccords, pour les raccordements
- Clé pour corps de filtre

Illustration de l'installation

Installer le système de filtration d'eau sur la canalisation d'eau froide, sous l'évier de cuisine et/ou salle de bains, pour filtrer l'eau de consommation froide.



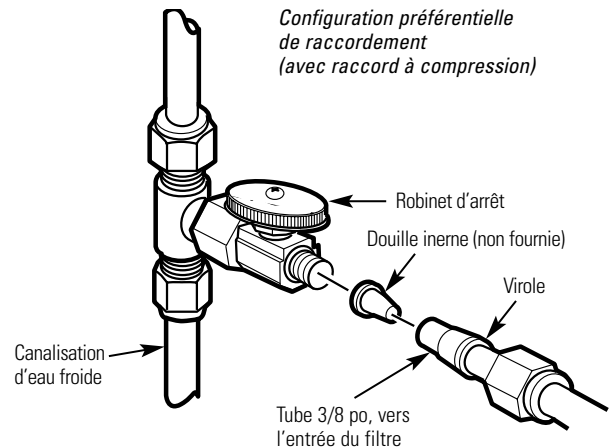
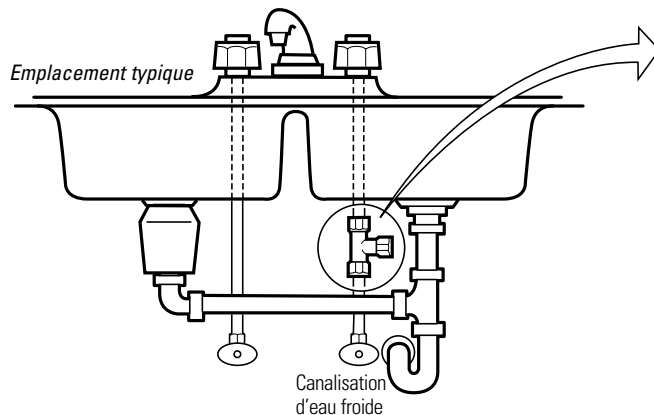
Instructions d'installation.

Source d'alimentation du filtre

Consulter et respecter le code de plomberie local lors de la planification et de l'installation de la canalisation d'alimentation du filtre en eau froide. Pour l'installation dans une résidence neuve avec des raccords de plomberie standard, voir les deux premières illustrations ci-dessous. La troisième illustration ci-dessous décrit une installation typique dans une résidence existante, avec robinet de prise en charge.

A. CONFIGURATION D'INSTALLATION PRÉFÉRENTIELLE

- 1 Fermer l'arrivée d'eau froide.
- 2 Respecter les prescriptions du code de plomberie; installer un raccord sur la canalisation d'eau froide pour le raccordement du tube de diamètre extérieur 3/8 po. Un raccordement typique est illustré à droite (pièces non fournies). Ne pas oublier d'utiliser un robinet d'arrêt.



B. AUTRE OPTION POUR INSTALLATION RÉSIDENNELLE—

Lorsque le code local le permet

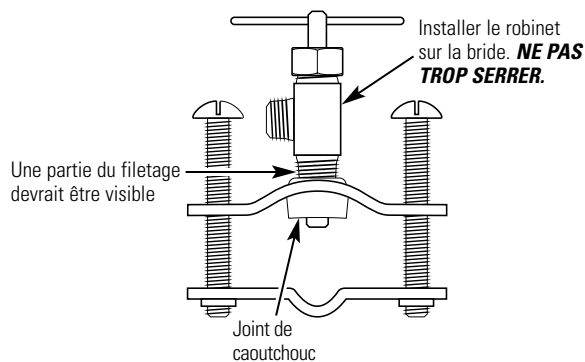
***Utilisation uniquement sur une canalisation métallique de dia. ext. 1/2 po ou plus**

NOTE : Dans l'État du Massachusetts, les codes en vigueur exigent que cet équipement soit installé par un plombier licencié, et que le raccordement à la canalisation d'alimentation ne soit pas effectué par un robinet de prise en charge. Avant l'installation, consulter le code de plomberie 248-CMR du Commonwealth of Massachusetts.

- 1 Fermer l'arrivée d'eau froide; installer le robinet de prise en charge selon les indications de l'illustration à droite.

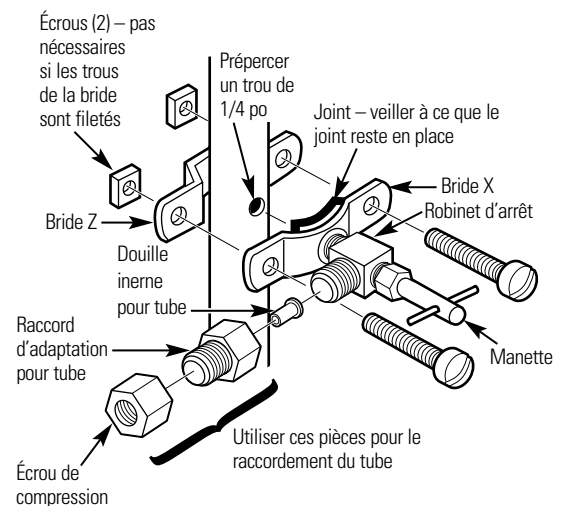
▲ DANGER : À titre de protection contre un choc électrique mortel ou de graves blessures, utiliser uniquement une perceuse à piles pour percer le trou. **NE PAS UTILISER UNE PERCEUSE ÉLECTRIQUE.**

- 2 Fermer le robinet de prise en charge—rotation de la manette dans le sens horaire.
- 3 Ouvrir le robinet d'arrêt et plusieurs robinets dans la maison pour permettre l'évacuation de l'air du système. Fermer les robinets lorsque l'eau s'écoule sans turbulence.



Autre configuration de raccordement (avec robinet de prise en charge)*

***Utilisation uniquement sur une canalisation métallique de dia. ext. 1/2 po ou plus**



Étapes de l'installation.

Installation du robinet—modèles GXST03C et GXSL03C (rév. 2)

Vérifier qu'il y a suffisamment d'espace sous l'évier pour les raccords.
Choisir l'un des emplacements suivants pour l'installation du robinet.

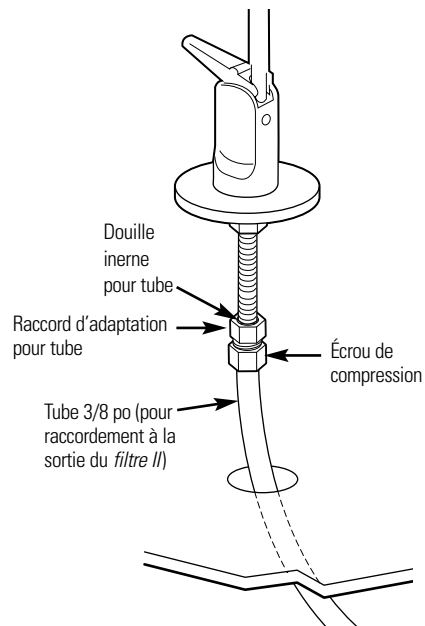
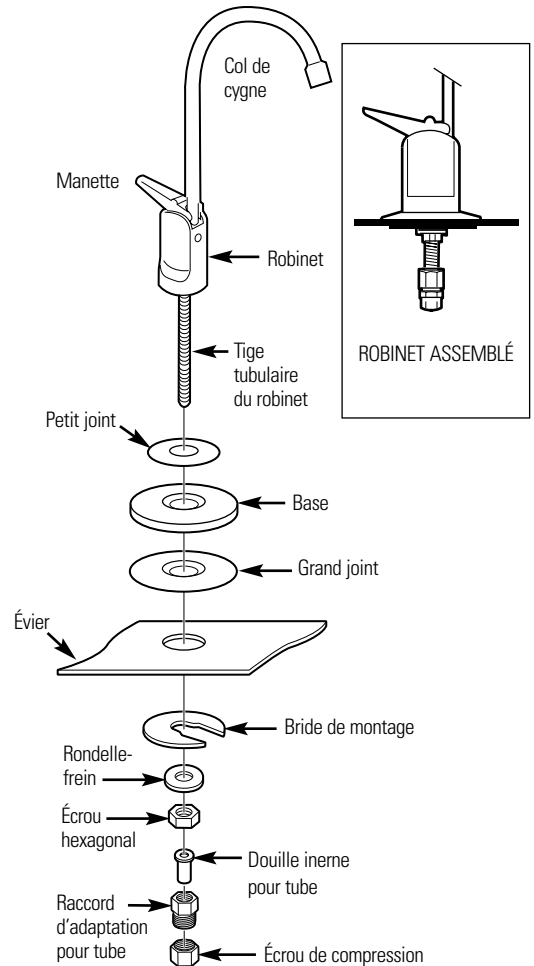
—Trou existant pour douchette d'évier ou distributeur de savon.

—Trou à percer dans le rebord de l'évier.

—Trou à percer dans le plan de travail, près de l'évier.

NOTE : Consulter la seconde illustration à droite; vérifier que la base du robinet d'arrêt reposera à plat contre la surface d'appui à l'emplacement choisi, pour que les joints assurent une bonne étanchéité.

- 1 Si une opération de perçage est nécessaire, percer un trou de 3/4 po. **Veiller à employer la méthode convenable pour le perçage dans l'acier inoxydable ou l'émail. Il peut être nécessaire d'utiliser un foret spécial.**
- 2 Enfiler les pièces suivantes sur la tige tubulaire du robinet, dans l'ordre indiqué : petit joint, base et grand joint. Placer ensuite la rondelle-frein et l'écrou hexagonal sur la tige tubulaire du robinet.
- 3 Insérer le joint dans le raccord d'adaptation du tube. Bien serrer sur la tige du robinet.
- 4 Par le dessous et à travers le trou de montage, faire passer la section de tube de dia. ext. 3/8 po. Installer l'adaptateur (voir la seconde illustration), bien serrer l'écrou de compression.
- 5 Enlever le tube d'emballage court; insérer le col de cygne dans le corps du robinet. Faire pivoter le col de cygne pour le mettre en place.
- 6 Mettre le robinet en place. Par le dessous du trou de montage, placer la bride de montage au-dessus de la rondelle-frein. Tout en immobilisant la bride de montage, bien serrer l'écrou hexagonal.



Étapes de l'installation.

Installation du robinet à témoin électronique—modèle GXSV10C

Vérifier qu'il y a suffisamment d'espace sous l'évier pour les raccords. Choisir l'un des emplacements suivants pour l'installation du robinet.

—Trou existant pour douchette d'évier ou distributeur de savon.

—Trou à percer dans le rebord de l'évier.

—Trou à percer dans le plan de travail, près de l'évier.

NOTE : Consulter la quatrième illustration à droite; vérifier que la base du robinet d'arrêt reposera à plat contre la surface d'appui à l'emplacement choisi, pour que les joints assurent une bonne étanchéité. Il pourrait être nécessaire d'orienter la base latéralement ou en diagonale.

1 Si une opération de perçage est nécessaire, percer un trou de 1 po–1 1/4 po. **Veiller à employer la méthode convenable pour le perçage dans l'acier inoxydable ou l'émail. Il peut être nécessaire d'utiliser un foret spécial.**

2 Consulter la première illustration; insérer une vis dans le trou de montage SANS RAINURE de la base. Visser de quelques tours un écrou plat sur la vis.

3 Positionner le joint de la base sur le trou de montage. Placer la base sur le joint; faire passer les conducteurs à travers le trou de montage. Maintenir l'écrou plat sous l'évier avec un doigt et serrer la vis pour établir le contact.

4 Faire tourner l'écrou plat restant de quelques tours sur l'autre vis. Positionner la vis dans le trou de montage avec rainure de la base; serrer pour établir le contact. Vérifier que le joint est convenablement aligné et **serrer prudemment** les deux vis jusqu'à ce que la base soit fermement maintenue en place. **Ne pas serrer excessivement** pour ne pas briser la base.

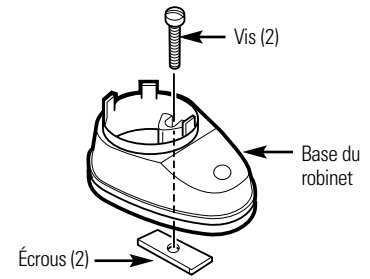
5 Assembler la base supérieure du robinet et l'écrou hexagonal sur la tige du robinet (troisième illustration). Serrer l'écrou pour établir le contact.

6 Insérer la douille interne pour tube dans le raccord d'adaptation du tube. Bien serrer sur la tige du robinet.

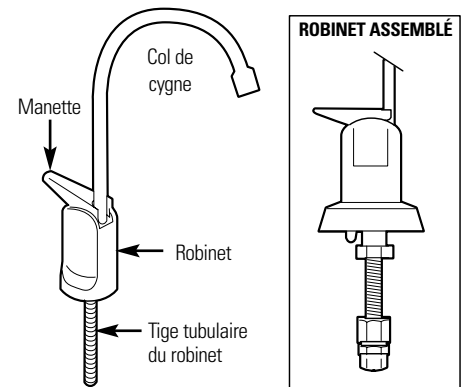
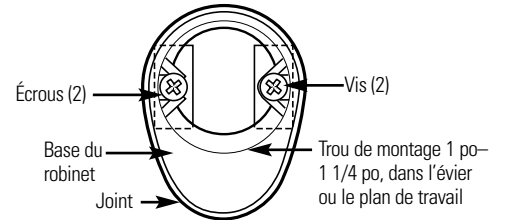
7 Par le dessous et à travers la base du robinet, faire passer la section de tube de dia. ext. 3/8 po. Installer l'adaptateur (voir la quatrième illustration); bien serrer l'écrou de compression.

8 Enlever le tube d'emballage court; visser le col de cygne dans le corps du robinet.

9 Mettre le robinet en place. Bloquer le robinet sur la base.



VUE DU DESSUS



Base (section supérieure)

Écrou hexagonal

Douille interne pour tube

Raccord d'adaptation pour tube

Écrou de compression

Douille interne pour tube

Écrou de compression

Tube 3/8 po (pour raccordement à la sortie du filtre II)

Base du robinet

Conducteurs de raccordement aux piles

Installation et raccordement des piles

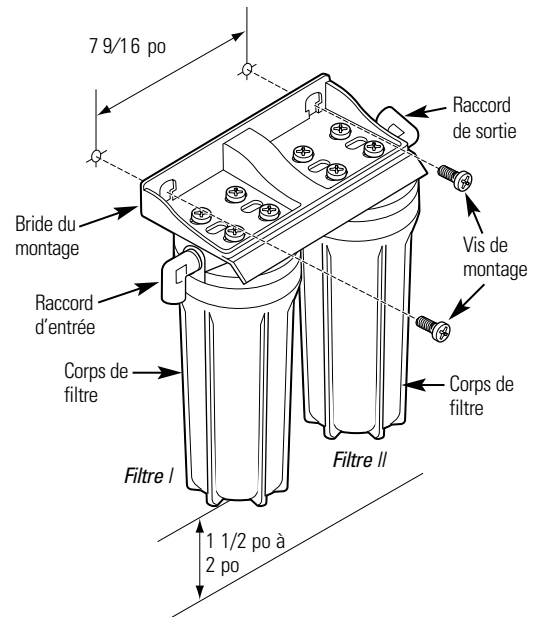
1 En un endroit sec accessible aux conducteurs de 3 pi de la base électronique, choisir un emplacement d'installation des piles (voir l'illustration de la page 21). On peut fixer les piles sur la plupart des surfaces à l'aide d'un morceau de Velcro^{MC}.

2 Le porte-pile comporte deux piles AA. Vérifier que les piles sont correctement installées. Enlever ensuite l'endos de papier de la section de Velcro^{MC} pour fixer le porte-pile en place.

3 Connecter ensemble le connecteur du porte-pile et les conducteurs de la base électronique.

Fixation de la bride de montage sur la paroi du placard

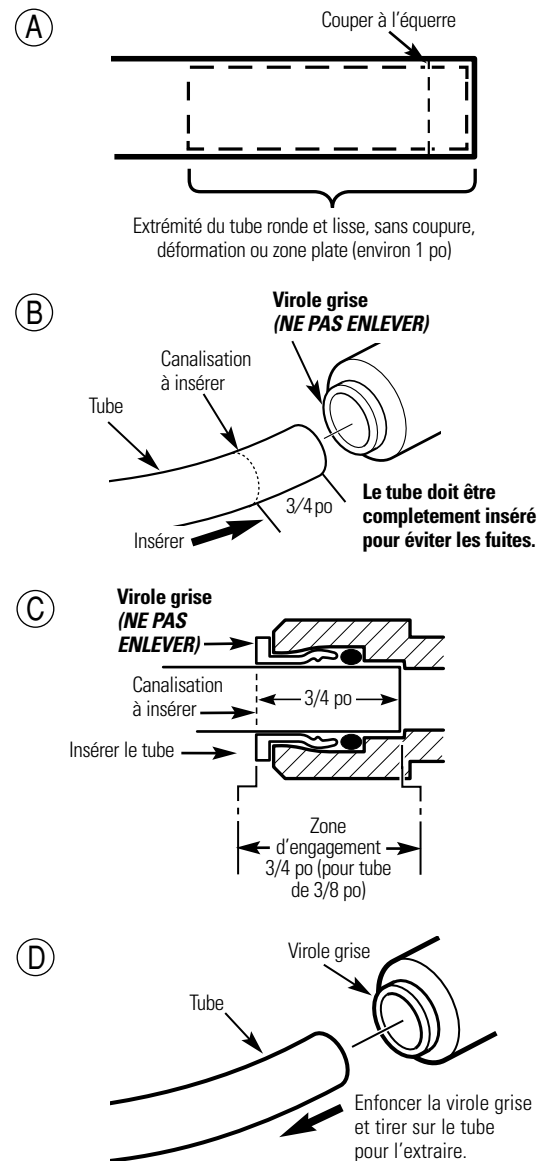
On peut utiliser la bride de montage comme un gabarit pour marquer l'emplacement des vis de fixation. Lors du choix de l'emplacement de fixation de la bride de montage, veiller à disposer d'un espace libre de 1 1/2 po à 2 po au-dessous des corps de filtre pour permettre leur démontage, et d'un espace suffisant sur les deux côtés pour le raccordement des tubes.



Raccordement des tubes par enfoncement (modèles GXSL03C (rév. 2) et GXSV10C)

- 1 Installer une section de tube de 3/8 po entre le robinet et la sortie du système de filtration (voir l'illustration ci-dessus). Utiliser une section de tube suffisamment longue pour qu'il soit facile de démonter l'ensemble.
- 2 Mesurer, et couper l'extrémité du tube à l'équerre avec un couteau acéré ou un autre instrument. Éliminer les bavures (illustration A).
- 3 Inspecter l'extrémité du tube; il faut que sur une distance de 1 po il n'y ait pas d'imperfection. Il peut être nécessaire de couper le tube de nouveau.
- 4 Marquer la limite d'insertion sur le tube. Pour un tube de diamètre externe 3/8 po, la distance d'insertion est d'environ 3/4 po. **Le tube doit être complètement inséré pour éviter les fuites.**
- 5 **NE PAS ENLEVER LA VIROLE GRISE.** Enfoncer complètement le tube dans le raccord, jusqu'à la position de butée. La limite d'insertion devrait être cachée ou à peine visible (illustration B et C). Tirer légèrement sur le tube pour vérifier l'engagement.
- 6 Répéter les étapes précédentes pour installer une section de tube entre l'entrée du système de filtration et le robinet de prise en charge ou le point d'arrivée d'eau (voir l'illustration à la section *Illustration de l'installation*).
- 7 Pour enlever le tube (illustration D), enfoncer et maintenir la virole grise. Tirer sur le tube pour l'extraire.

NOTE : Éviter une configuration d'installation dans laquelle le tube devrait former un angle. Ce type d'installation pourrait produire des fuites au niveau des raccords. Dans le cas de l'utilisation de tube flexible autre que celui qui est fourni, veiller à ce qu'il s'agisse d'un produit de grande qualité, à surface lisse, parfaitement rond et de même taille.



Utilisation du système de filtration de l'eau.

Cartouches de filtration – Installation ou remplacement

MISE EN GARDE : Ne jamais enlever les corps de filtre lorsque le système de filtration est pressurisé.

- 1 **Fermer le robinet d'arrêt de la canalisation qui alimente le filtre.**
(Pour l'emplacement de ce robinet, voir l'illustration à la section *Illustration de l'installation*). Ouvrir le robinet de puisage de l'eau filtrée.
- 2 Pour enlever le filtre, faire tourner le corps de filtre selon les indications de l'illustration, avec l'outil fourni. Travailler prudemment—le corps de filtre peut être plein d'eau. Veiller à conserver le grand joint torique.
- 3 Pour le remplacement de la cartouche de filtration, enlever et jeter la cartouche usée.
- 4 Vérifier la propreté de l'intérieur du corps de filtre. Laver parfaitement l'intérieur du corps de filtre avec de l'eau chaude savonneuse, puis rincer.
- 5 Retirer la cartouche de filtration neuve de son emballage; insérer la cartouche dans le corps de filtre. Il peut être nécessaire de respecter une orientation particulière; ceci est alors indiqué par des marques apposées sur la cartouche.

NOTE : Diverses cartouches de filtration sont utilisables avec le système de filtration d'eau. Veiller à installer chaque type de cartouche correctement. Veiller à toujours placer la cartouche de *Filtration I* dans le corps de *Filtre I*, et à placer la cartouche de *Filtration II* dans le corps de *Filtre II*. Pour les caractéristiques de performance des filtres, voir la page 19.

Pour modèle GXSL03C (rév. 2) Pour modèle GXSV10C

Filtre FXSLC (rév. 2) Filtre FXSVC (rév. 2)
(capacité 600 gallons) (capacité 600 gallons)

Filtre I – Blanc, sans embouts

Filtre I – Blanc, avec embouts verts

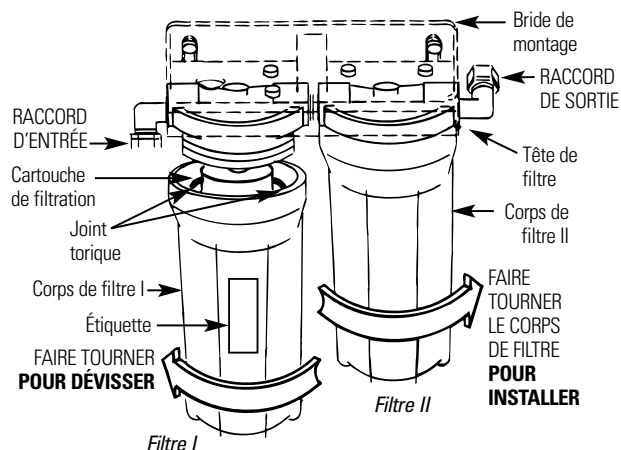
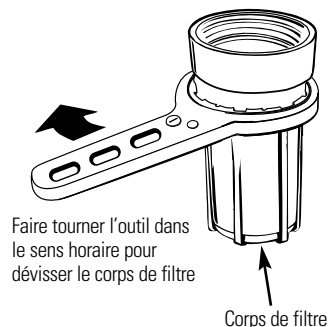
Filtre II – Blanc, avec embouts jaunes

Filtre II – Gris

- 6 Lubrifier légèrement le joint torique avec une graisse aux silicones de qualité alimentaire (graisse aux silicones disponible auprès de GE – Pièces et services au : 1-800-626-2002 Numéro de pièce : W560X10005. Veiller à ce que le joint soit bien placé dans la rainure.
- 7 Tenir le corps de filtre sous la tête de montage; aligner le trou central de la cartouche avec la pièce en saillie sous la tête. Un défaut d'alignement pourrait faire subir des dommages au filtre et/ou au système de filtration, ce qui en dégraderait la performance.
- 8 Visser le corps de filtre sur la tête de montage—veiller à ne pas détériorer le filetage; bien serrer à la main.

NOTE : Si on perçoit une résistance ou si le corps de filtre ne se visse pas bien, c'est peut-être parce que la cartouche de filtration n'est pas correctement alignée, ou est incorrectement orientée. Retirer la cartouche et veiller à l'orienter correctement avant de visser le corps de filtre.

- 9 Répéter les étapes 2 à 8 pour installer la cartouche de *Filtration II* dans le corps de *Filtre II*.



10 Ouvrir le robinet d'eau filtrée. Ouvrir ensuite lentement le robinet d'arrêt sur la canalisation, et laisser le corps de filtre se remplir d'eau.

11 Fermer le robinet d'eau filtrée. Rechercher ensuite d'éventuelles fuites entre le corps de filtre et la tête de montage.

NOTE : S'il y a une fuite, fermer l'arrivée d'eau et ouvrir le robinet d'eau filtrée. Démontez le corps du filtre; recherchez d'éventuelles détériorations du joint torique (coupure, zone d'écrasement, etc.) ou la présence de matières étrangères sur les surfaces d'étanchéité. Nettoyez le joint torique; lubrifiez légèrement le joint avec de la graisse aux silicones propre. Veillez à bien placer le joint dans la rainure du corps de filtre. Vissez le corps de filtre; puis inspectez pour rechercher des fuites.

12 Dans le cas d'un robinet avec piles, enlever et éliminer convenablement les piles; installer deux piles alcalines AA neuves dans le porte-pile. L'extraction des piles ou la déconnexion momentanée des conducteurs d'alimentation provoque la remise à zéro de la minuterie électronique (minutage de six mois). On recommande de changer les piles au moins une fois par an.

13 Les cartouches de filtration contiennent du charbon actif. Laissez initialement le robinet d'eau filtrée ouvert pendant dix minutes pour rincer le système.

14 Inscrivez la date de changement du filtre sur l'étiquette, et placez l'étiquette sur le corps du filtre, à l'intérieur de la porte du placard ou en un autre endroit pratique. On devrait changer les filtres à intervalles de six mois.

Processus de rinçage

Chaque fois que le système de filtration GE est exposé à de l'eau de qualité inconnue, on devrait jeter les éléments de filtration et rincer le circuit.

Circonstances qui peuvent nécessiter un rinçage du circuit :

- Notification de la nécessité de faire bouillir l'eau.
- Inondation du système de filtration d'eau GE.
- Inutilisation prolongée.

Méthode de rinçage du système de filtration GE :

- 1 Voir la section *Cartouches de filtration–Installation ou remplacement*; exécuter les étapes 1, 2, 3 et 4.
- 2 Réinstaller les corps de filtre (sans les éléments de filtration), faire circuler l'eau et laisser l'eau s'écouler par le robinet.
- 3 Fermer l'arrivée d'eau; enlever les corps de filtre; vider toute l'eau des corps de filtre, puis installer des éléments de filtration neufs.
- 4 Pour terminer le processus, voir la section *Cartouches de filtration–Installation ou remplacement*; exécuter les étapes 5–11.

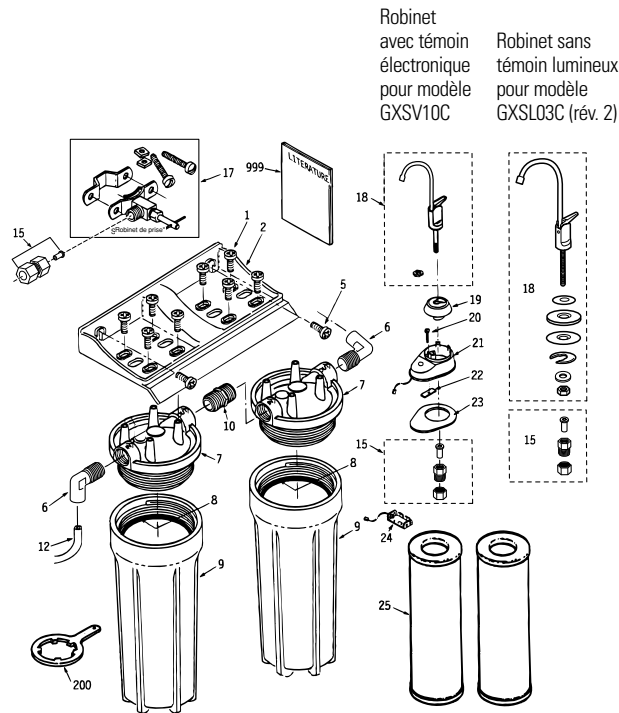
Avant de contacter un dépanneur...



*Conseils pour le diagnostic
Pour économiser temps et argent! Consulter d'abord le tableau
ci-dessous...cela permettra peut-être d'éviter l'intervention d'un
dépanneur.*

Problème	Causes possibles	Remèdes
Présence de petites particules noires dans l'eau	Les cartouches de filtration neuves contiennent du charbon actif; il s'agit d'une poudre noire inoffensive.	<ul style="list-style-type: none"> Ouvrir le robinet de puisage de l'eau filtrée; laisser l'eau entraîner les particules de carbone. Refermer le robinet lorsque l'eau est limpide.
Présence de bulles dans l'eau, et apparence trouble	Présence d'air dans le système après l'installation.	<ul style="list-style-type: none"> Ceci cessera après le puisage d'une quantité d'eau suffisante.
Clignotement du témoin lumineux sur la base du robinet (GXSV10C seulement)	Le filtre est en service depuis six mois. C'est la longévité maximale des cartouches de filtration.	<ul style="list-style-type: none"> Remplacer les deux cartouches de filtration et les piles du porte-pile.
Le témoin lumineux à la base du robinet ne fonctionne pas (GXSV10C seulement)	Les conducteurs à la base du robinet ne sont pas connectés aux piles.	<ul style="list-style-type: none"> Connecter les piles.
	Il est peut-être nécessaire de remplacer les piles, ou bien elles ont été installées incorrectement.	<ul style="list-style-type: none"> Voir les marques d'orientation sur le porte-pile; effectuer l'installation correcte. Remplacer les piles si elles sont épuisées.
	Conducteurs électriques endommagés.	<ul style="list-style-type: none"> Inspecter et réparer selon le besoin.
Goût et/ou odeur de chlore dans l'eau filtrée	Les cartouches de filtration ne retiennent plus le chlore contenu dans l'eau.	<ul style="list-style-type: none"> Remplacer les deux cartouches de filtration.
Débit d'eau réduit	Le filtre comporte peut-être un dispositif de limitation du débit.	<ul style="list-style-type: none"> Un débit modéré (environ 0,6 g/min) est normal avec ce type de filtre. Si ce débit est insuffisant, remplacer les filtres par des filtres qui ne comportent pas un dispositif de limitation du débit.
	Les filtres sont en service depuis trop longtemps.	<ul style="list-style-type: none"> On recommande de remplacer les deux cartouches de filtration à intervalles de six mois.
	Les cartouches de filtration sont obstruées.	<ul style="list-style-type: none"> Une concentration élevée de sédiments peut provoquer une obstruction prématurée. Remplacer les deux cartouches de filtration.
Fuites au niveau des raccords	Les tubes n'ont pas été installés correctement.	<ul style="list-style-type: none"> Respecter scrupuleusement les instructions d'installation (page 25) et vérifier que le tube est installé à la profondeur correcte.
	Les tubes peuvent être endommagés.	<ul style="list-style-type: none"> Examiner l'extrémité du tube (environ 1 po) pour rechercher des défauts comme éraflures, rayures, défauts de rondeur, etc. Si nécessaire, couper l'extrémité du tube et réinstaller.

Liste des pièces.



***NOTE :** Dans l'État du Massachusetts, les codes en vigueur exigent que cet équipement soit installé par un plombier licencié, et que le raccordement à la canalisation d'alimentation ne soit pas effectué par un robinet de prise en charge. Avant l'installation, consulter le code de plomberie 248-CMR du Commonwealth of Massachusetts.

Pour obtenir des pièces de rechange, appelez sans frais au (800) 626-2002 (États-Unis), au 800.663.6060 (Canada-Anglais), au 800.361.3869 (Canada-Français).

Catalogue des pièces General Electric.

N° DE RÉF.	N° DE PCE	DESCRIPTION	G	X	S	L	0	3	C	R	É	V	1	0	2	0	1	1
0001	WS02X10001	Vis, n° 10-14 x 3/4 po																
0002	WS28X10010	Bride de montage																
0005	WS02X10003	Vis, n° 10-14 x 1 1/4 po																
0006	WS22X10002	Coude, 3/8 po NPT x 3/8 po (compression)																
0006	WS22X10032	Coude, 3/8 po NPT x 3/8 po (enfonce)																
0007	WS19X10011	Tête de filtre																
0008	WS03X10001	Joint torique, 3 3/8 po x 3 5/8 po																
0009	WS30X10002	Corps de filtre																
0010	WS22X10003	Raccord droit, 3/8 po NPT x 1 1/2 po																
0012	WS07X10008	Tube, 3/8 po x 20 pi (blanc)																
0015	WS03X10044	Raccord d'adaptation pour tube de puisage																
0017	WS15X10008	Robinet de prise en charge																
0018	WS15X10002	Robinet de puisage (avec témoin)																
	WS15X10022	Robinet de puisage (sans témoin)																
0019	WS10X10008	Base de robinet-section supérieure noire																
0020	WS02X10007	Vis, n° 6-32 x 1 3/8 po																
0021	WS10X10002	Base de robinet																
0022	WS02X10008	Écrou																
0023	WS08X10003	Joint de robinet																
0024	WS06X10001	Porte-pile																
0025	FXSLC (rév. 2)	Cartouche de filtration - plomb/spores																
	FXSVC (rév. 2)	Cartouche de filtration - COV																
0200	WX5X140	Clé pour corps de filtre																
0999	49-50039	Manuel-Utilisation et entretien/installation																

Notes.

Notes.

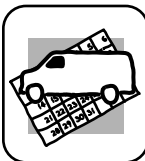
Service à la clientèle.



Site Web appareils électroménagers GE

www.GEAppliances.com

Vous avez une question ou vous avez besoin d'aide pour votre appareil électroménager? Contactez-nous par Internet au site www.GEAppliances.com 24 heures par jour, tous les jours de l'année.



Service de réparations

www.GEAppliances.com

Service de réparations GE est tout près de vous.
Pour faire réparer votre électroménager GE, il suffit de nous téléphoner (800.432.2737).



Studio de conception réaliste

www.GEAppliances.com

Sur demande, GE peut fournir une brochure sur l'aménagement d'une cuisine pour les personnes à mobilité réduite.
Appelez-nous au 800.833.4322.

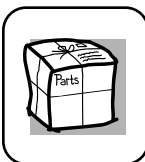


Prolongation de garantie

www.GEAppliances.com

Achetez un contrat d'entretien GE avant que votre garantie n'expire et bénéficiez d'un rabais substantiel. Ainsi le service après-vente GE sera toujours là après expiration de la garantie.

Visitez notre site Web ou appelez-nous au 800.626.2224

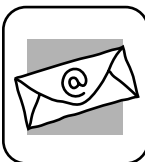


Pièces et accessoires

www.GEAppliances.com

Ceux qui désirent réparer eux-mêmes leurs électroménagers peuvent recevoir pièces et accessoires directement à la maison (cartes VISA, MasterCard et Discover acceptées). Visitez notre site Web ou appelez-nous au 800.626.2002 (EU), au 800.663.6060 (Canada-Anglais), au 800.361.3869 (Canada-Français).

Les directives stipulées dans le présent manuel peuvent être effectuées par n'importe quel utilisateur. Les autres réparations doivent généralement être effectuées par un technicien qualifié. Soyez prudent, car une réparation inadéquate peut affecter le fonctionnement sécuritaire de l'appareil.



Contactez-nous

www.GEAppliances.com

Si vous n'êtes pas satisfait du service après-vente dont vous avez bénéficié :

Premièrement, communiquez avec les gens qui ont réparé votre appareil.

Ensuite, si vous n'êtes toujours pas satisfait envoyez tous les détails—numéro de téléphone compris—au Manager, Customer Relations, GE Appliances, Appliance Park, Louisville, KY 40225.



Inscrivez votre appareil électroménager

www.GEAppliances.com

Inscrivez votre appareil électroménager en direct, aussitôt que possible. Cela améliorera nos communications et notre service après-vente. Vous pouvez également nous envoyer par la poste le formulaire d'inscription joint à votre documentation.

Système de filtration d'eau GE—Garantie.

GARANTIE LIMITÉE D'UN AN

- *Que couvre la garantie?*
 - Tout défaut de matériel ou de main d'oeuvre du produit.
 - *Q'est-ce qui n'est pas couvert par la garantie?*
 - Les cartouches de filtre.
 - Les déplacements à votre domicile pour vous enseigner comment utiliser le produit.
 - Une installation incorrecte.
 - Une panne du produit causée par un abus d'utilisation, une mauvaise utilisation, toute modification ou une utilisation du produit dans un but non prévu.
 - Défauts entraînés par une installation incorrecte ou tout dommage non imputable à GE.
 - Responsabilité de GE couvert par cette garantie ou toute autre garantie couvrant tout dommage indirect.
 - Produits utilisés pour des applications industrielles ou commerciales.
 - Utilisation de ce produit lorsque l'eau est microbiologiquement impure ou de qualité inconnue sans qu'une désinfection adéquate n'ait eu lieu avant l'entrée et sortie dans le circuit. Les systèmes homologués pour une réduction des microbes peuvent être utilisés après désinfection de l'eau pouvant contenir des microbes filtrables.
 - Tout dommage causé au produit par accident, incendie, inondation ou acte de Dieu.
 - **Tout dommage fortuit ou indirect causé par des défauts éventuels de cet appareil, son installation ou les réparations effectuées.**
 - *Quelle est la durée de la garantie après l'achat?*
 - Un an.
 - *Comment dois-je faire ma réclamation?*
 - Ramenez le produit au magasin où vous l'avez acheté avec un exemplaire de la "Preuve d'achat". Cette garantie exclut les coûts d'expédition ou les déplacements de service à votre domicile.
 - *Quel est le statut de cette garantie vis-à-vis de la loi?*
 - Cette garantie vous donne des droits légaux spécifiques. Il est possible que vous ayez d'autres droits qui varient d'état en état. **CETTE GARANTIE REMPLACE DE TOUTE AUTRE GARANTIE, QU'ELLE SOIT EXPRIMÉE OU SOUS-ENTENDUE, INCLUANT LES GARANTIES DE NÉGOCE ET DE CONVENANCE DANS UN BUT PARTICULIER.**
- Veillez nous contacter à www.GEAppliances.com, ou composez le 800-GE-CARES (États-Unis) et sans frais le 866.777.7627 (Canada).

Información de seguridad34

Instrucciones de funcionamiento ...35, 36

Cómo usar el sistema36

Guías de especificaciones35

Instrucciones de instalación37-43

Abastecimiento de agua38

Conexiones de los tubos41

Herramientas/Materiales requeridos37

Instalación de la llave de agua39, 40

Instalación del paquete con la batería40

Instalación o reemplazo del cartucho

del filtro42, 43

Instrucciones paso a paso39-41

Montaje sobre la pared41

Procedimiento para lavado43

Recomendaciones importantes37

Consejos para detectar problemas

Antes de llamar para un servicio44

Servicio del consumidor

GarantíaCubierta trasera

Lista/Catálogo de partes45

Ayuda al ClienteCubierta trasera



GXSL03C (rev. 2) está probado y certificado por NSF Internacional contra la norma 42 de ANSI/NSF para la reducción de Partículas Clase I, Cloro y Sabor/Olor y la norma 53 para la reducción de plomo, mercurio, quistes, turbidez, asbestos, atrazina y lindano.

GXSV10C está probado y certificado por NSF Internacional contra la norma 42 de ANSF/NSF para la reducción de Partículas Clase I, Cloro y Sabor/Olor y la norma 53 para la reducción de plomo, mercurio, quistes, turbidez, asbestos y VOC.

Anote aquí los números de modelo y de serie:

Número de modelo _____

Número de serie _____

Los encontrará en la abrazadera del receptáculo.

INFORMACION IMPORTANTE DE SEGURIDAD. LEA TODAS LAS INSTRUCCIONES ANTES DEL USO.

⚠ ¡ADVERTENCIA! *Para su seguridad, la información en este manual debe ser seguida para minimizar el riesgo de daño a la propiedad o herida personal.*

PRECAUCIONES DE SEGURIDAD

- Consulte con su departamento local de obras públicas para los códigos de plomería. Usted debe seguir estas reglas cuando instale su Sistema de Filtración de Agua.
- Use el sistema de Filtración de Agua con una línea de abastecimiento de agua FRIA de hogar, potable y segura para beber.
- **No** lo use con una línea de agua caliente (100°F máx.).

⚠ ADVERTENCIA: No use con agua que sea microbiológicamente insegura o de calidad desconocida sin una desinfección adecuada antes o después del sistema. Sistemas certificados para reducción de quistes pueden ser usados en agua desinfectada que podrían contener quistes filtrables.

INSTALACION ADECUADA

Este sistema de Filtración de Agua debe ser instalado y ubicado adecuadamente de acuerdo con las Instrucciones de Instalación antes de ser usado.

- Instale o guarde donde no estará expuesto a temperaturas bajo el punto de congelación o expuesto a cualquier tipo de clima. El agua que se congele en el sistema lo dañará. No trate de tratar el agua a más de 100°F.
 - Su sistema de Filtración de Agua soportará hasta 125 libras de presión de agua por pulgada cuadrada (psi). Si la presión de la línea de agua de su casa es más alta que 100 psi, instale una válvula reductora de presión antes de instalar el sistema de Filtración de Agua.
- ⚠ ADVERTENCIA:** Bote todos los materiales sin usar y de empaque después de la instalación. Las partes pequeñas que quedan después de la instalación podrían ser un peligro para atragantarse.

LEA Y SIGA ESTA INFORMACION DE SEGURIDAD CUIDADOSAMENTE. GUARDE ESTAS INSTRUCCIONES

Muchos sabores y/u olores malos se sacan del agua usando cartuchos de filtro de carbón activado. Se usan más a menudo para sacar el sabor y olor a cloro. También pueden reducir otros elementos indeseables de las líneas de agua para tomar, tales como contaminantes químicos orgánicos y plomo.

NOTA: Pequeñas cantidades de sulfato de hidrógeno (se nota como olor a “huevo podrido”) podrían ser reducidas por filtros para sabor y olor por un corto tiempo, pero el medio de carbón se gasta rápidamente. Otro equipo para acondicionamiento de agua generalmente se requiere para el tratamiento continuo del sulfato de hidrógeno.

El sistema de Filtración de Agua usa dos cartuchos de filtros.

Para modelo GXSL03C (rev. 2)

Juego de filtro FXSLC (rev. 2) (600 galones de capacidad)

Filtro I – Blanco sin tapas en las puntas

Filtro II – Blanco con tapas amarillas en las puntas

- Reduce polvo, herrumbe y sedimento
- Reduce malos sabores y olores
- Reduce el cloro: sabor y olor
- Reduce el plomo
- Reduce el asbesto
- Reduce el mercurio
- Reduce la atrazina
- Reduce los quistes filtrables (tales como cryptosporidium y giardia)
- Reduce el lindano (un pesticida)
- Reducción de partículas nominales de 0,5–1 microne

Para modelo GXSV10C

Juego de filtro FXSVC (rev. 2) (600 galones de capacidad)

Filtro I – Blanco con puntas verdes

Filtro II – Gris

- Reduce polvo, herrumbe y sedimento
- Reduce malos sabores y olores
- Reduce el cloro: sabor y olor
- Reduce el plomo
- Reduce de asbesto
- Reduce el mercurio
- Reduce los quistes filtrables (tales como cryptosporidium y giardia)
- Reduce los químicos Orgánicos Volátiles
- Reducción de partículas nominales de 0,5–1 microne

Este sistema cumple con ANSI/NSF 42 y 53 para los Reclamos específicos de desarrollo según lo probado y verificado por los datos arrojados por las pruebas.

Presión mínima-máxima de línea de agua – 40–125 libras por pulgada cuadrada (psi)

Temperatura mínima-máxima de línea de agua – 40°–100°F

Entrada-Salida – 3/8" NPT, uniones y tubos incluidos

*Valor del paso de servicio – 0,6 gpm (GXSL03C) (rev. 2)
0,6 gpm (GXSV10C)*

Dependiendo del tratamiento necesitado para un abastecimiento de agua específico, el sistema de filtración de agua puede ser hecho a la medida usando cualquier combinación de juegos de cartuchos de filtro.

Acerca del sistema de filtración de agua.

Cómo usar el sistema de filtración de agua y acerca del cartucho del filtro

La llave de agua de la superficie del gabinete dispensa agua para beber filtrada. Tiene una manilla cerrada manual a resorte para prevenir pérdida. Usted puede mantener la llave abierta empujando la manilla hacia arriba para engancharla en la punta de la llave.

Vida del cartucho del filtro – Varias variables determinan cuánto durarán los cartuchos en su sistema de Filtración de Agua. Estas incluyen:

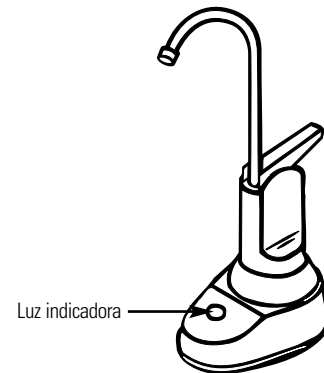
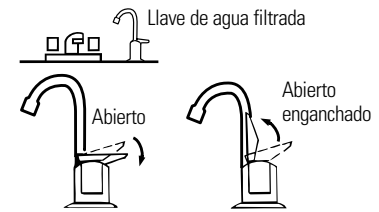
- 1 ***Cuánta agua usa.***
- 2 ***Cuánto sedimento, sabor y/u olor, plomo u otra sustancia indeseada hay en el agua.***

Sin importar qué sistema de Filtración de Agua usted tiene, usted debería reemplazar los cartuchos cada seis meses, cuando es indicado por la luz indicadora electrónica sobre la base. En abastecimientos de agua extremadamente malos, usted podría notar el retorno de sustancias indeseadas en su agua antes que terminen los seis meses. En este caso los cartuchos deberían ser cambiados inmediatamente. Si el sistema es también para sacar plomo o contaminantes químicos, es **MAS IMPORTANTE** reemplazar los cartuchos por lo menos cada seis meses.

NOTA: Si la línea de agua contiene altas cantidades de sedimento, los filtros de carbón se podrían tapar prematuramente, reduciendo el paso del agua filtrada a la llave del sistema. *El reemplazo del cartucho es necesario para restaurar el paso.*

Luz indicadora electrónica (GXSV10C solamente) – La luz indicadora electrónica sobre la base de la llave es un cronómetro de seis meses que le indica cuándo reemplazar los cartuchos del filtro. Cuando el paquete de la batería se instala por primera vez, la luz indicadora se encenderá brevemente para mostrar que la electrónica está funcionando. Si no pasa, las baterías podrían estar instaladas al revés o las puntas de los alambres no están conectadas.

Después de unos seis meses, la luz indicadora empieza a pestañear. Es hora de reemplazar los cartuchos del filtro. Cuando reemplace los cartuchos del filtro, también reemplace las baterías en el paquete de las baterías. Dos baterías AA son requeridas.



Instrucciones de instalación.

Recomendaciones importantes de instalación

Lea el manual completo. La falla de seguir todas las guías y reglas podría causar heridas personales o daño a la propiedad.

- **Consulte con su departamento local de obras públicas para los códigos de plomería. Usted debe seguir sus guías a medida que instala el sistema de Filtración de Agua.**
- **Use el sistema de Filtración de Agua solamente en una línea de agua FRIA de casa, potable, segura para beber. Los filtros de agua no purificarán el agua o harán que el agua mala sea buena para beber. NO use con agua CALIENTE (100°F Máx.).**
- **Proteja el sistema de Filtración de Agua y las cañerías del congelamiento. El agua que se congele en el sistema lo dañará.**
- **Su sistema de Filtración de Agua soportará hasta 125 psi de presión de agua. Si la presión de agua en su casa es más de 100 psi durante el día (podría alcanzar ese nivel durante la noche), instale una válvula reductora de presión antes del sistema.**

⚠ ADVERTENCIA: No use con agua que sea microbiológicamente insegura o de calidad desconocida sin una desinfección adecuada antes o después del sistema. GXSL03C (rev. 2) y GXSV10C están certificados para reducción de quistes y podrían ser usados con agua desinfectada que podría contener quistes filtrables. El agua debería ser inspeccionada periódicamente para verificar que el sistema está funcionando satisfactoriamente. Las partes pequeñas que sobren después de la instalación podrían ser un peligro para atragantarse. Desheche en forma segura.

Herramientas y Materiales requeridas para la instalación

- Destornilladores “slotted” y Phillips.
- Alicates y llaves inglesas ajustables.
- Taladro y punta de 1/4” manual o a batería (instalación de la válvula tipo “saddle”).
- Taladro eléctrico y punta para hacer un hoyo de 1”-1 1/4” (tipo como sea requerido) si se necesita un hoyo para el montaje de la llave de agua.

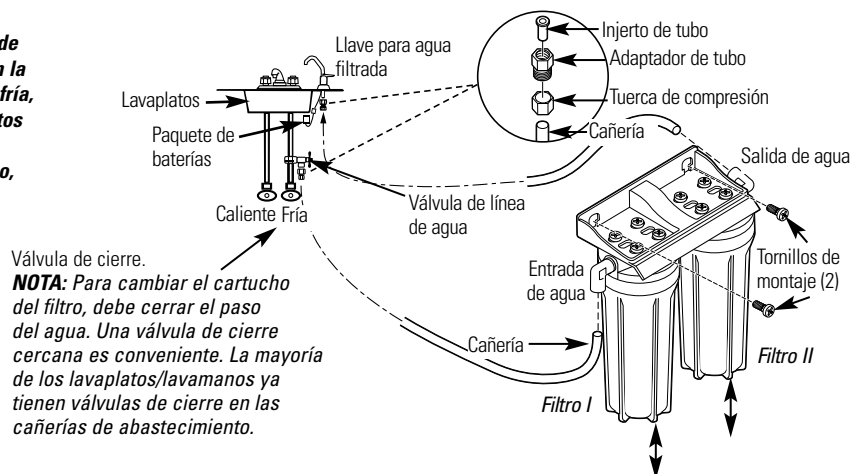
⚠ PRECAUCION: Para evitar daño al lavaplatos, consulte con un plomero o un instalador para los procedimientos para hacer los hoyos. Taladros especiales podrían ser necesitados para porcelana o acero inoxidable.

Contenidos incluidos con el producto:

- Juego de filtro de agua, incluyendo abrazaderas de montaje y tornillos.
- Literatura sobre el producto (Manual del Consumidor e Instalación, Hoja de Información del Producto, Tarjeta de Registración del Producto del Cliente).
- Válvula tipo “saddle” /línea de agua.
- Llave para el agua filtrada para instalación en el lavaplatos o sobre el gabinete.
- Base de llave para indicador electrónico y paquete de baterías (GXSV10C solamente).
- Tubos y uniones de 3/8” para hacer todas las conexiones necesarias.
- Llave inglesa para el receptáculo.

Sumario de la instalación

Ubique el sistema de agua para tomar en la cañería para agua fría, debajo del lavaplatos de la cocina o del lavamanos del baño, para filtrar el agua fría para tomar.



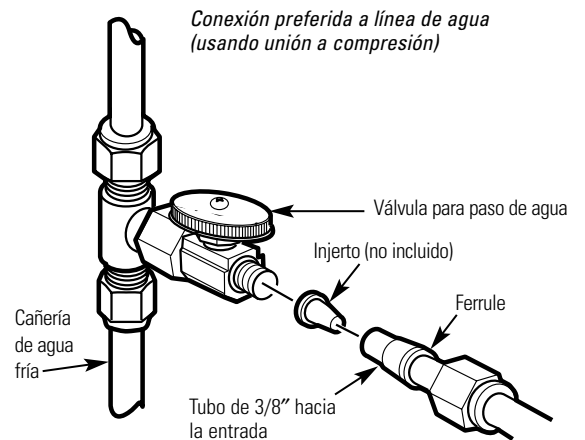
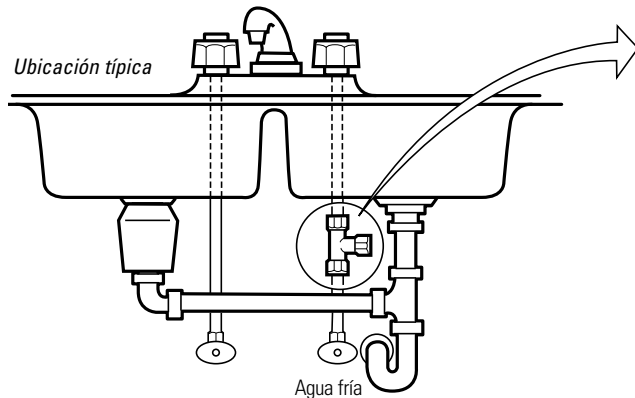
Instrucciones de instalación.

Línea de abastecimiento de agua

Consulte y cumpla con los códigos de plomería locales a medida que planea; luego instale una unión para abastecimiento de agua fría. Para la instalación en una casa nueva usando uniones de plomería normales, vea primero las dos ilustraciones de abajo. Una instalación típica para casas existentes usando la válvula tipo “saddle” se muestra en la tercera ilustración de abajo.

A. INSTALACION PREFERIDA

- 1 Cierre el paso de agua fría.
- 2 Cumpliendo con los códigos de plomería, instale una unión en la cañería de agua fría para adaptar una cañería OD de 3/8". Una conexión típica se muestra en la ilustración de la derecha (partes no incluidas). Asegúrese de usar una válvula para paso de agua.



B. INSTALACION DE CASA OPCIONAL— donde lo permitan los códigos

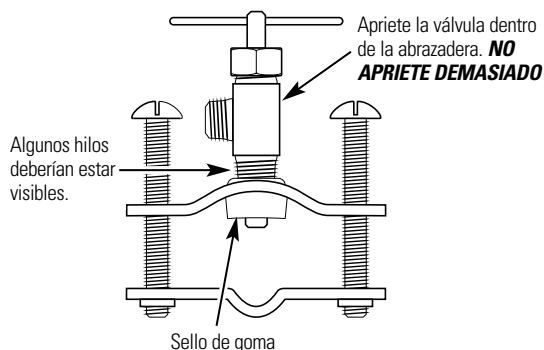
***Para un tubo OD de 1/2" o más grande solamente.**

NOTA: Los códigos del estado de Massachusetts requieren que la instalación sea hecha por un plomero licenciado y no permiten el uso de una válvula tipo “saddle”. Para la instalación, use el código de plomería 248-CMR del Commonwealth de Massachusetts.

- 1 Cierre el paso de agua fría y coloque la válvula tipo “saddle” como se muestra en la ilustración de la derecha.

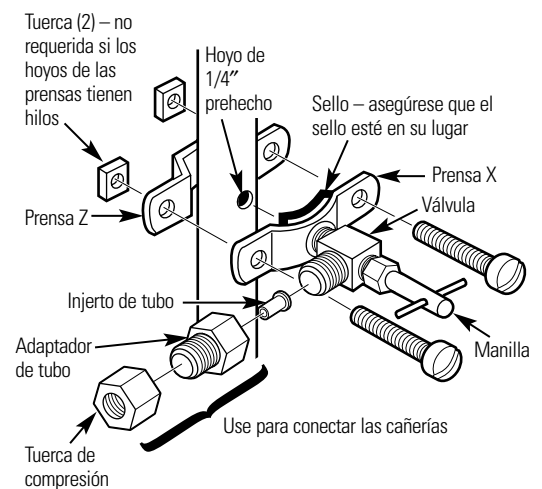
▲ PELIGRO: Para protegerse de una herida seria o un golpe de corriente fatal, use solamente un taladro manual o a baterías para hacer el hoyo. **NO USE UN TALADRO ELECTRICO.**

- 2 Cierre el paso del agua haciendo girar la manilla en dirección del reloj.
- 3 Abra la válvula de paso principal del agua y varias llaves de agua de la casa para sacar el aire del sistema. Cierre las llaves cuando el agua corra suavemente.



Conexión opcional a línea de agua (usando una válvula “saddle”)*

***Para un tubo OD de 1/2" o más grande solamente.**



Instrucciones de instalación paso a paso.

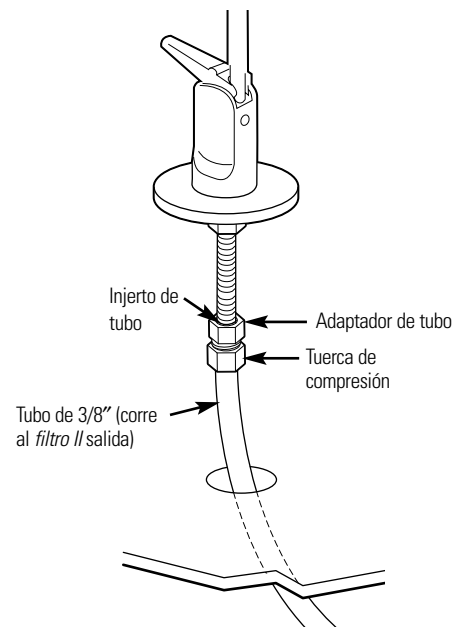
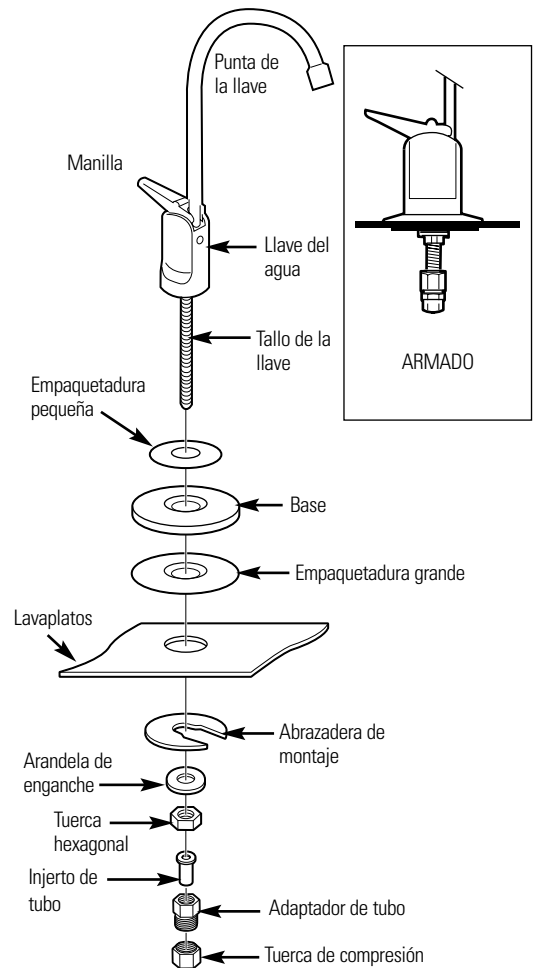
Instalación de llaves de agua para modelos GXST03C y GXSL03C (rev. 2)

Asegúrese de que haya lugar debajo del lavaplatos/lavamanos para hacer las conexiones necesarias. Seleccione uno de los siguientes lugares para instalar la llave:

- EN un hoyo de rociador o dispensador de jabón de lavaplatos existente.
- EN un hoyo que se hará en la superficie del lavaplatos.
- EN un hoyo que se hará sobre la superficie del gabinete, al lado del lavaplatos.

NOTA: Mirando la segunda ilustración de la derecha, asegúrese que la base de la llave quedará puesta en forma plana contra la superficie de la ubicación seleccionada para que la empaquetadura selle.

- 1 Si se necesita hacer un hoyo, haga un hoyo de 3/4" de diámetro. **Asegúrese de usar el procedimiento adecuado para hacer hoyos en la porcelana o acero inoxidable. Se podrían necesitar puntas de taladro especiales.**
- 2 Coloque la empaquetadura pequeña, la base y la empaquetadura grande (en ese orden) en el tallo de la llave. Luego, coloque la arandela de enganche y la tuerca hexagonal en el tallo de la llave.
- 3 Inserte la arandela en el adaptador del tubo. Apriete bien al tallo de la llave.
- 4 Haga pasar el largo del tubo OD de 3/8" desde el fondo a través del hoyo de montaje. Conecte el adaptador del tubo como se muestra en la segunda ilustración, apretando bien la tuerca de compresión.
- 5 Saque el tubo corto de empaque y meta la punta en el cuerpo de la llave. Haga girar la punta hacia su lugar.
- 6 Baje el juego de la llave a su lugar sobre el lado de abajo del hoyo de montaje. Coloque la abrazadera de montaje sobre la arandela de enganche. Mientras sujete la arandela de montaje en su lugar, apriete bien la tuerca hexagonal.



Instrucciones de instalación paso a paso.

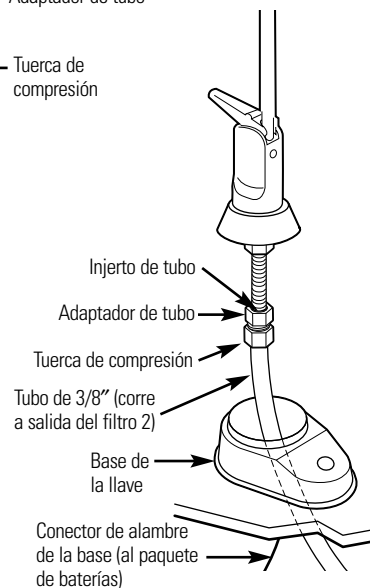
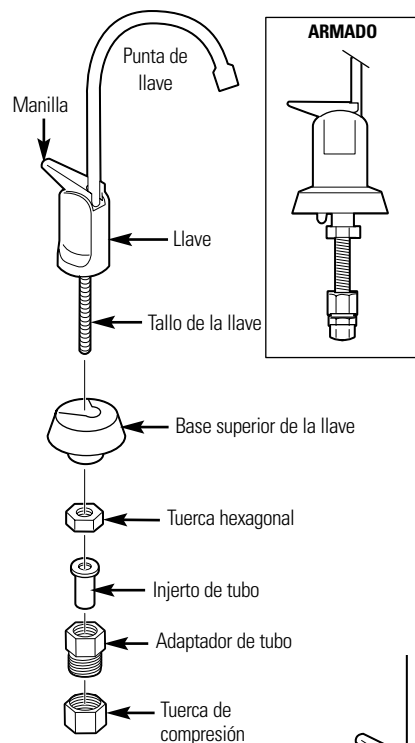
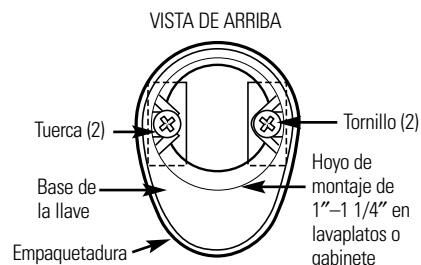
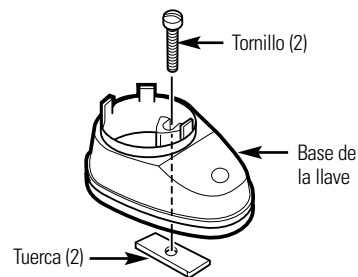
Instalación electrónica de la llave para el Modelo GXSV10C

Asegúrese de que haya espacio debajo del lavaplatos/lavamanos para hacer las conexiones necesarias. Seleccione una de las siguientes ubicaciones para instalar la llave.

- EN un hoyo de rociador o dispensador de jabón de lavaplatos existente.
- EN un hoyo que se hará en la superficie del lavaplatos.
- EN un hoyo que se hará sobre la superficie del gabinete, al lado del lavaplatos.

NOTA: Mirando la cuarta ilustración a la derecha, asegúrese que la base de la llave quedará puesta en forma plana contra la superficie de la ubicación seleccionada para que la empaquetadura selle. La base podría tener que ser hecha en ángulo de lado o diagonalmente.

- 1 Si necesita hacer un hoyo, haga un hoyo de 1"-1 1/4" de diámetro. **Asegúrese de usar el procedimiento adecuado para hacer hoyos en la porcelana o acero inoxidable. Se podrían necesitar puntas de taladro especiales.**
- 2 Mirando a la primera ilustración, meta un tornillo dentro del hoyo de montaje de la base SIN RANURAS. Haga girar la tuerca plana unas pocas vueltas en el tornillo.
- 3 Coloque la empaquetadura de la base sobre el hoyo de montaje. Ponga la base sobre la empaquetadura, guiando el alambre principal a través del hoyo de montaje. Sujetando la tuerca plana debajo del lavaplatos con un dedo, apriete el tornillo hasta que quede apretado.
- 4 Haga girar la tuerca plana que queda unas pocas vueltas sobre el otro tornillo. Coloque el tornillo en el hoyo de montaje de la base sin ranuras y apriete hasta que quede apretado. Asegúrese que la posición de la empaquetadura está alineada correctamente y **apriete cuidadosamente** ambos tornillos hasta que la base quede firmemente en su lugar. **No apriete demasiado** y quiebre la base.
- 5 Arme la base de la llave de arriba y la tuerca hexagonal sobre el tallo de la llave (tercera ilustración). Apriete la tuerca hasta que quede apretada.
- 6 Meta el injerto de tubo en el adaptador del tubo. Apriételo bien al tallo de la llave.
- 7 Haga pasar el largo del tubo OD de 3/8" desde el fondo hacia arriba a través de la base de la llave. Conecte al adaptador del tubo como se muestra en la cuarta ilustración, apretando bien la tuerca de compresión.
- 8 Saque el tubo corto de empaque y atornille la punta de la llave en el cuerpo de la llave.
- 9 Baje el juego de la llave y engánchelo en su lugar sobre la base de la llave.

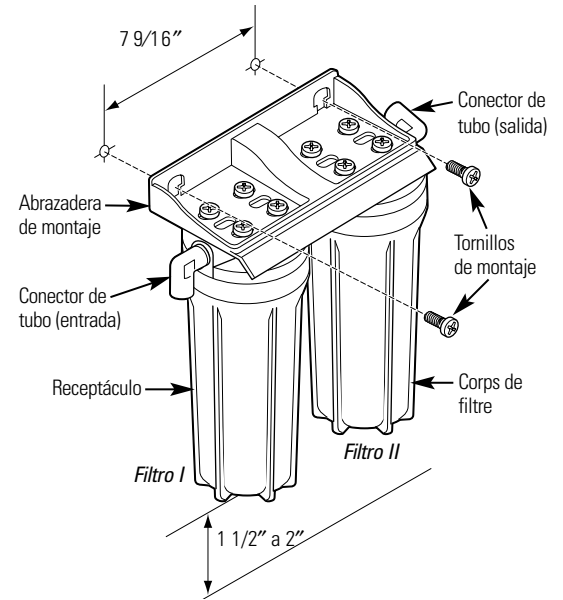


Instalación y conexión del paquete de baterías

- 1 En un lugar seco, dentro del alcance del alambre de la base electrónica de 3", seleccione una ubicación para el paquete de baterías (vea la ilustración en la página 37). El paquete de las baterías se pega a la mayoría de las superficies, usando la tira de Velcro™ con espalda pegable.
- 2 El paquete de las baterías usa dos baterías de tamaño AA. Revise para asegurarse que están instaladas correctamente. Luego, saque el papel de la espalda de la tira de Velcro™ y pegue bien el paquete en su lugar.
- 3 Conecte el alambre de la base electrónica y el conector del paquete de las baterías.

Cómo montar la abrazadera en la pared del gabinete

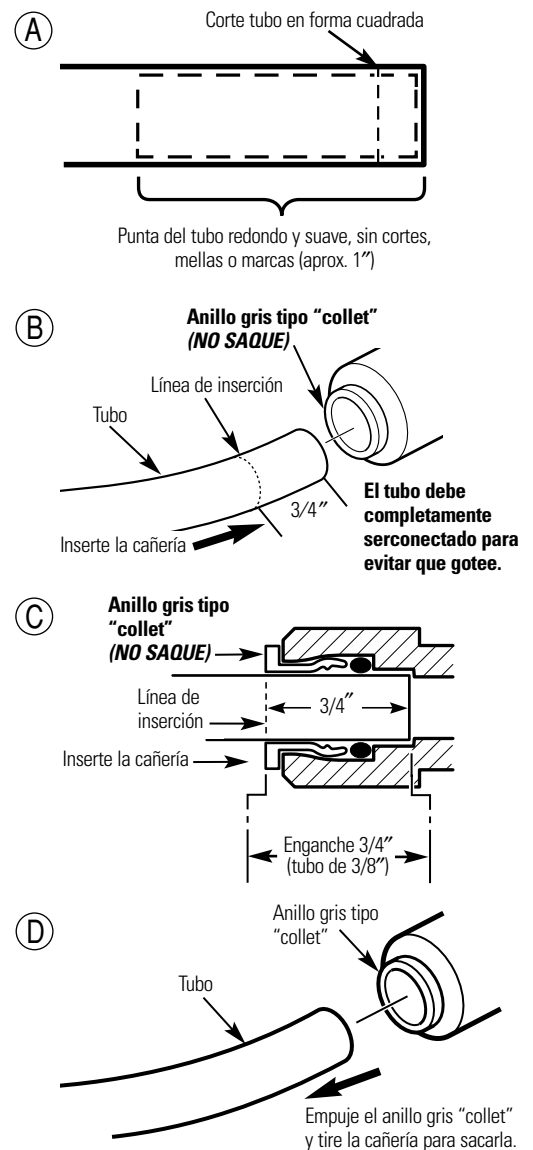
La abrazadera se puede usar como molde para marcar la ubicación de los tornillos de montaje. Cuando determine la ubicación de la abrazadera, asegúrese de dejar un área libre de 1 1/2" a 2" debajo de los receptáculos para permitir sacar los receptáculos y espacio suficiente en cualquiera de los lados para hacer las conexiones de los tubos.



Conexiones de los tubos – Estilo empuje (Modelos GX SLO3C [rev. 2] y GX SV10C)

- 1 Pase el largo del tubo de 3/8", conectado al fondo de la llave, a la salida del sistema de filtro (ilustración arriba). Permita suficiente soltura en el tubo para sacar fácilmente la unidad.
- 2 Mida y corte la punta de los tubos en forma cuadrada usando un cortador o un cuchillo afilado. Saque las astillas (ilustración A).
- 3 Inspeccione la punta del tubo, como 1 pulgada, para estar seguro de que no hayan imperfecciones. Podría ser necesario cortar el tubo nuevamente.
- 4 Marque el tubo para el largo de la inserción. Para tubos OD de 3/8" el largo de la inserción debería ser aproximadamente 3/4". **El tubo debe ser completamente conectado para evitar que gotee.**
- 5 **NO SAQUE EL ANILLO GRIS TIPO "COLLET"**. Empuje el tubo hasta el fondo de la unión. La línea de inserción debería quedar escondida o casi invisible (ilustración B y C). Tire suavemente el tubo para ver si está bien enganchado.
- 6 Repita el procedimiento para conectar el tubo entre la entrada del sistema de filtro y la línea de agua/válvula "saddle" (ilustración en la sección *Sumario de la Instalación*).
- 7 Para sacar la cañería (ilustración D), empuje y sujete el anillo gris "collet". Tire la cañería para sacarla.

NOTA: Evite instalar la unidad donde el tubo se tire en un ángulo cerrado. Este tipo de instalación podría causar que las uniones goteen. Si se usa otro tipo de tubo fuera del que se provee, asegúrese de que sea de alta calidad, tamaño y redondés exacta, y que tenga una superficie suave.



Acerca del sistema de filtración de agua.

Instalación o reemplazo del cartucho del filtro

⚠ PRECAUCION: Nunca saque los receptáculos cuando hay presión de agua en el sistema de filtración.

1 **Cierre el paso del agua/válvula "saddle" hacia el filtro.** (Vea la ilustración en la sección *Sumario de la Instalación* para la ubicación de la válvula de la línea de abastecimiento del agua.) Abra la llave del agua filtrada.

2 Saque el receptáculo, usando la llave para receptáculo que se provee, de la cabeza del filtro haciendo girar el receptáculo como se muestra en la ilustración de abajo. Tenga cuidado, el receptáculo podría estar lleno de agua. Asegúrese de guardar el sello de anillo grande.

3 Si está reemplazando un cartucho de filtro, saque y bote el cartucho del filtro usado.

4 Asegúrese que el interior del receptáculo esté limpio. Lave bien el interior del receptáculo con agua caliente con jabón y enjuague.

5 Saque el envoltorio del cartucho del filtro nuevo y meta el cartucho del filtro en el receptáculo. Algunos cartuchos calzan de cualquier forma, mientras otros calzan sólo de una manera. Observe las marcas sobre el cartucho.

NOTA: El sistema de filtración de agua usa dos tipos diferentes de cartuchos de filtro. Asegúrese de instalarlos correctamente. El cartucho del *Filtro I* siempre debería ser instalado en el receptáculo del *Filtro I*. El cartucho del *Filtro II* siempre debería ser instalado en el receptáculo de *Filtro II*. Vea la página 35 para una lista completa de las características de funcionamiento del filtro.

Para modelo GXSL03C (rev. 2)

Para modelo GXSV10C

Juego de filtro FXSLC (rev. 2) (600 galones de capacidad)

Juego de filtro FXSVC (rev. 2) (600 galones de capacidad)

Filtro I – Blanco sin tapas en las puntas

Filtro I – Blanco con tapas de puntas verdes

Filtro II – Blanco con tapas de puntas amarillas

Filtro II – Gris

6 Lubrique levemente el sello tipo anillo en el receptáculo con grasa de silicón limpia para cocinar. (La grasa de silicón se puede comprar a través de las Partes y Servicios GE: 1-800-626-2002 Parte número: WS60X10005). Asegúrese que quede bien puesto en la ranura.

7 Sujete el receptáculo hacia la cabeza del filtro, alineando el centro del hoyo del cartucho con la marca sobre el fondo de la cabeza. La falla de obtener un alineamiento adecuado podría causar daño al filtro y/o el sistema de filtración, lo cual degradará el funcionamiento del filtro.

8 Teniendo cuidado de no cruzar los hilos, haga rotar el receptáculo sobre la cabeza del filtro y apriete bien con la mano.

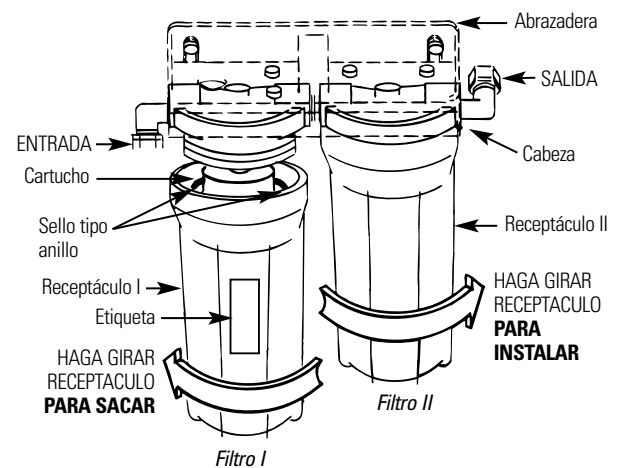
NOTA: Si el receptáculo no se aprieta a la cabeza o si usted siente resistencia, es posible que usted tenga el cartucho invertido o fuera de alineamiento. Saque el cartucho y revise la correcta orientación o alineamiento y arme nuevamente.

9 **Repita los pasos 2 a 8 para el cartucho del Filtro II en el receptáculo del Filtro II.**



Haga girar la llave para el receptáculo que se provee en dirección del reloj para sacar el receptáculo.

Receptáculo



ENTRADA
Cartucho
Sello tipo anillo
Receptáculo I
Etiqueta
HAGA GIRAR RECEPTACULO PARA SACAR

Filtro I

Abrazadera

SALIDA

Cabeza

Receptáculo II

HAGA GIRAR RECEPTACULO PARA INSTALAR

Filtro II

- 70 Abra la llave del agua filtrada. Luego, lentamente abra la válvula de paso del agua/válvula "saddle" y permita que la caja del filtro se llene.
- 71 Cierre la llave del agua filtrada. Luego, revise que no hayan goteras entre el receptáculo y la cabeza.
- NOTA:** Si hay goteras, cierre el paso del agua y abra la llave del agua filtrada. Desarme la caja del filtro y revise el sello tipo anillo por cortaduras, marcas planas, etc., y las superficies por materias extrañas. Limpie el anillo del sello y lubrique levemente con grasa limpia de silicón. Cuidadosamente empuje hacia la ranura del receptáculo. Rearme y revise para que no hayan goteras.
- 72 Si está reemplazando las baterías, saque, bote adecuadamente e instale dos baterías alcalinas nuevas AA en el paquete de las baterías. El sacar las baterías o desconectar momentariamente los alambres reactiva el cronómetro electrónico de seis meses. Se recomienda que usted cambie las baterías por lo menos una vez al año.
- 73 Los cartuchos del filtro contienen carbón activado. Cuando están nuevos, abra la llave del agua filtrada por diez minutos para lavar el sistema.
- 74 Coloque la etiqueta para cambio del filtro sobre el receptáculo, dentro del puerta del gabinete, o en otro lugar conveniente. Escriba la fecha del cambio del filtro para referencia futura. Los filtros deberían ser cambiados cada seis meses.

Procedimiento para lavar.

Cada vez que agua de calidad desconocida es pasada a través del sistema de Filtración de Agua GE, los elementos del filtro deberían ser deshechados y el sistema de filtración lavado.

Las circunstancias que podrían requerir el lavado del sistema son:

- Advertencia de que hay que hervir el agua.
- Inundación del sistema de Filtración de Agua GE.
- Largo tiempo sin ser usado.

El procedimiento para lavar el sistema de Filtración de Agua GE es:

- 1 Vea la sección de *Reemplazo del Cartucho del Filtro* y siga los pasos 1, 2, 3 y 4.
- 2 Luego, reinstale los receptáculos (sin los elementos del filtro), abra el agua y lave a través de la llave por un minuto.
- 3 Entonces, cierre el agua, saque los receptáculos, vacíe el agua de los receptáculos e instale elementos de filtro nuevos.
- 4 Siga los pasos 5–11 en la sección *Reemplazo del Cartucho del Filtro* para completar.

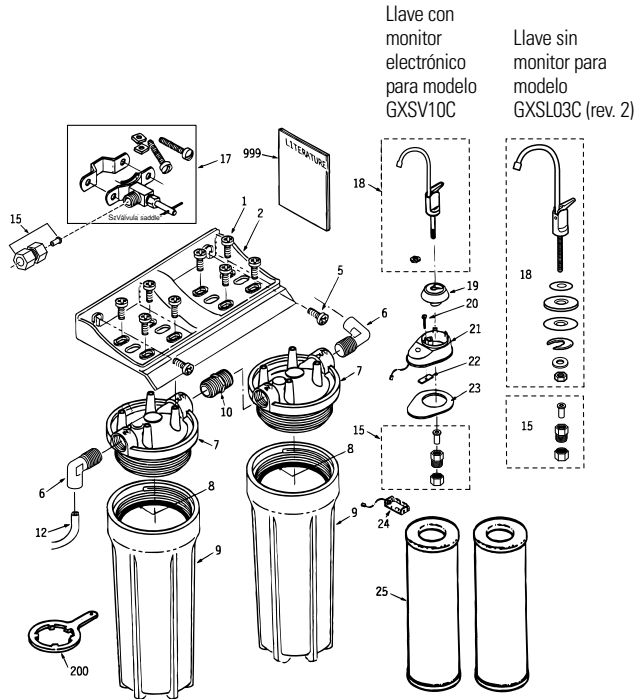
Antes de llamar para un servicio...



Consejos para detectar problemas
¡Ahorre tiempo y dinero! Revise la tabla de abajo primero
y es posible que no necesite llamar para un servicio.

Problema	Posibles causas	Qué hacer
El agua contiene pequeñas partículas negras	Los cartuchos de filtros nuevos contienen carbón activado, lo cual es un polvo negro que no hace daño.	<ul style="list-style-type: none"> Abra la llave del agua filtrada y permita que estas partículas de carbón que no hacen daño salgan del cartucho. Cierre la llave cuando el agua esté limpia.
Agua tiene burbujas de agua y está turbia	Aire en el sistema después de la instalación.	<ul style="list-style-type: none"> Desaparecerán después que el agua corra un poco.
La luz indicadora en la base de la llave está pestañeando (GXSV10C solamente)	Han pasado seis meses de uso. Esta es la vida máxima de los cartuchos de los filtros.	<ul style="list-style-type: none"> Reemplace ambos cartuchos de los filtros y las baterías en el paquete de las baterías.
La luz indicadora en la base de la llave no funciona (GXSV10C solamente)	El alambre de la base de la llave no está conectado al alambre del paquete de baterías.	<ul style="list-style-type: none"> Conecte.
	Las baterías podrían necesitar ser reemplazadas o podrían estar instaladas incorrectamente.	<ul style="list-style-type: none"> Observe la orientación de las marcas sobre el sujetador e instale correctamente. Reemplace las baterías si están viejas.
	El alambre está dañado.	<ul style="list-style-type: none"> Inspecciones y repare como sea necesario.
Sabor y/u olor a cloro en el agua que se produce	Los cartuchos del filtro ya no están sacando el cloro de la línea del agua.	<ul style="list-style-type: none"> Reemplace ambos cartuchos de filtros.
Agua sale muy lentamente	El filtro podría tener un restrictor de paso integrado.	<ul style="list-style-type: none"> Un paso lento (aprox. 0,6 g/min.) es normal con este tipo de filtro. Si la cantidad de paso es inaceptable reemplace los filtros con unos que no tengan un restrictor de paso integrado.
	Los filtros han estado instalado por demasiado tiempo.	<ul style="list-style-type: none"> Un período de cambio de cada seis meses es recomendado. Reemplace ambos cartuchos de los filtros.
	Los cartuchos de los filtros están tapados.	<ul style="list-style-type: none"> Niveles altos de sedimento pueden causar un tapado prematuro. Reemplace ambos cartuchos de los filtros.
Uniones y goteras	El tubo podría estar instalado incorrectamente.	<ul style="list-style-type: none"> Siga las instrucciones de instalación (página 41) completamente y asegúrese que el tubo esté instalado a la profundidad adecuada.
	El tubo podría estar dañado.	<ul style="list-style-type: none"> Examine la punta del tubo (aprox. 1") por defectos como rayas, ranuras, redondés, etc. Recorte el tubo y reinstale completamente.

Lista de partes.



***NOTA:** Los códigos del estado de Massachusetts requieren que la instalación sea hecha por un plomero licenciado y no permiten el uso de una válvula tipo "saddle". Para la instalación, use el código de plomería 248-CMR del Commonwealth de Massachusetts.

Para obtener partes de reemplazo, llámenos gratuitamente al 800.626.2002 (USA), al 800.663.6060 (Canadá-Inglés) o al 800.361.3869 (Canadá-Francés).

Catálogo de partes General Electric.

Nº DE REF	PARTE Nº	DESCRIPCION DE PARTE	
0001	WS02X10001	TORNILLO, #10-14 X 3/4"	G
0002	WS28X10010	ABRAZADERA DE MONTAJE	X
0005	WS02X10003	TORNILLO, #10-14 X 1 1/4"	S
0006	WS22X10002	CODO, 3/8" NPT X 3/8" (compresión)	L
0006	WS22X10032	CODO, 3/8" NPT X 3/8" (empuje)	0 G
0007	WS19X10011	CABEZA	3 X
0008	WS03X10001	ANILLO-O, 3 3/8" X 3 5/8"	C S
0009	WS30X10002	RECEPTACULO	R V
0010	WS22X10003	UNION, 3/8" NPT X 1 1/2"	E 1
0012	WS07X10008	TUBO, 3/8" X 20FT-WH	V 0
0015	WS03X10044	ADAPTADOR DE TUBO	2 C
0017	WS15X10008	VALVULA SADDLE/LINEA DE AGUA	0 0
0018	WS15X10002	JUEGO DE LLAVE (con monitor)	1 1
	WS15X10022	JUEGO DE LLAVE (sin monitor)	8 8
0019	WS10X10008	BASE NEGRA LLAVE SUPERIOR	1 1
0020	WS02X10007	TORNILLO, #6-32 X 1 3/8"	2 2
0021	WS10X10002	JUEGO DE LLAVE DE BASE	- -
0022	WS02X10008	TUERCA	2 2
0023	WS08X10003	EMPAQUETADURA DE LLAVE	2 2
0024	WS06X10001	SUJETADOR DE BATERIA	1 1
0025	FXSLC (rev. 2)	JUEGO DE FILTRO - PLOMO/QUISTE	- 1
	FXSVC (rev. 2)	JUEGO DE FILTRO - VOC	- 2
0200	WX5X140	LLAVE PARA RECEPTACULO	- 1
0999	49-50039	MANUAL DE USO Y CUIDADO/ INSTALACION	- 2

Notas.

Notas.

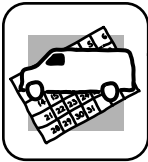
Ayuda al Cliente.



Página Web de GE

www.GEAppliances.com

¿Tiene alguna pregunta sobre su electrodoméstico? ¡Pruebe la página Web de GE 24 horas al día, cualquier día del año! Para mayor conveniencia y servicio más rápido, ya puede descargar los Manuales de los Propietarios, pedir piezas o incluso hacer una cita en línea para que vengan a realizar una reparación.



Solicite una reparación

www.GEAppliances.com

El servicio de expertos GE está a tan sólo un paso de su puerta. ¡Entre en línea y solicite su reparación cuando le venga bien 24 horas al día cualquier día del año! O llame al 800.GE.CARES (800.432.2737) durante horas normales de oficina.



Real Life Design Studio (Estudio de diseño para la vida real)

www.GEAppliances.com

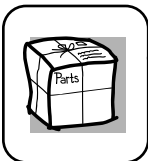
GE apoya el concepto de Diseño Universal—productos, servicios y ambientes que pueden usar gente de todas las edades, tamaños y capacidades. Reconocemos la necesidad de diseñar para una gran gama de habilidades y dificultades físicas y mentales. Para más detalles sobre las aplicaciones de GE Diseño Universal, incluyendo ideas de diseño para la cocina para personas con discapacidades, mire nuestra página Web hoy mismo. Para personas con dificultades auditivas, favor de llamar al 800.TDD.GEAC (800.833.4322).



Garantías ampliadas

www.GEAppliances.com

Compre una garantía ampliada y obtenga detalles sobre descuentos especiales disponibles mientras su garantía está aún activa. Puede comprarla en línea en cualquier momento, o llamar al (800.626.2224) durante horas normales de oficina. GE Consumer Home Services estará aún ahí cuando su garantía termine.

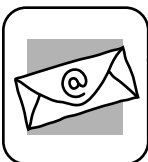


Piezas y accesorios

www.GEAppliances.com

Aquellos individuos con la calificación necesaria para reparar sus propios electrodomésticos pueden pedir que se les manden las piezas o accesorios directamente a sus hogares (aceptamos las tarjetas VISA, MasterCard y Discover). Haga su pedido en línea hoy, 24 horas cada día o llamar por teléfono al 800.626.2002 durante horas normales de oficina.

Las instrucciones descritas en este manual cubren los procedimientos a seguir por cualquier usuario. Cualquier otra reparación debería, por regla general, referirse a personal calificado autorizado. Debe ejercerse precaución ya que las reparaciones incorrectas pueden causar condiciones de funcionamiento inseguras.



Póngase en contacto con nosotros

www.GEAppliances.com

Si no está satisfecho con el servicio que recibe de GE, póngase en contacto con nosotros en nuestra página Web indicando todos los detalles así como su número de teléfono o escribanos a:

General Manager, Customer Relations
GE Appliances, Appliance Park
Louisville, KY 40225



Registre su electrodoméstico

www.GEAppliances.com

¡Registre su nuevo electrodoméstico en línea—cuando usted prefiera! El registrar su producto a tiempo le proporcionará, si surgiera la necesidad, una mejor comunicación y un servicio más rápido bajo los términos de su garantía. También puede enviar su tarjeta de registro preimpresa que se incluye en el material de embalaje.

Garantía del sistema de Filtración de Agua GE.

GARANTÍA LIMITADA POR UN AÑO

- **¿Qué cubre esta garantía?**
 - Cualquier defecto de fábrica en los materiales o la manufactura del producto.
 - **¿Qué no cubre esta garantía?**
 - Cartuchos del filtro.
 - Viajes a su casa para enseñarle cómo usar el producto.
 - Instalación inadecuada.
 - Falla del producto debido a abuso, mal uso, o alteración o uso diferente al propósito deseado con este producto.
 - Defectos que resulten de una instalación inadecuada o daños no causados por GE.
 - Responsabilidad de parte de GE bajo esta o cualquier otra garantía por cualquier daño indirecto o por consecuencia de otro evento.
 - Productos que son usados con fines comerciales o industriales.
 - Uso de este producto donde el agua está microbiológicamente insegura o de calidad desconocida, sin la adecuada desinfección, antes y después de ser procesada por el sistema. Los sistemas certificados para reducir el nivel de quistes pueden ser usados en agua desinfectada que pueda contener quistes que se puedan filtrar.
 - Daños causados al producto debido a accidentes, incendio, inundaciones o actos de la naturaleza.
 - **Daños secundarios o por consecuencia causados por posibles defectos en el producto, su instalación o reparación.**
 - **¿Por cuánto tiempo después de la compra?**
 - Un año.
 - **¿Cómo hago la reclamación de la garantía?**
 - Devuélvala al minorista a quien le compró el producto con una copia de "Proof of Purchase" (prueba de compra). Esta garantía excluye los costos de envío o llamadas de servicio a domicilio.
 - **¿Cómo la ley estatal se relaciona con esta reclamación de garantía?**
 - Esta garantía le otorga derechos legales específicos, y también puede tener otros derechos que varían de estado a estado. **ESTA GARANTÍA PROCURA SUSTITUIR OTRAS GARANTÍAS, HAYAN SIDO ESTAS GARANTÍAS EXPRESADAS O IMPLICADAS, INCLUYENDO LAS GARANTÍAS DE MERCADERO Y APTAS PARA UN PROPÓSITO EN PARTICULAR.**
- Contactenos en www.GEAppliances.com, o llame al 800.GE.CARES (800.432.2737) (EE.UU.), llamada sin costo 866.777.7627 (Canada).